



**BARRIER FREE**

**AFWALL™ ADA RETROFIT ELONGATED\***

- Vitreous china
- Low-consumption (6.0 Lpf/1.6 gpf)
- Off-floor mounting
- Elongated bowl
- Direct-fed siphon jet action
- Fully-glazed 2" ballpass trapway
- 10" x 12" water surface area
- Condensation channel
- 1-1/2" inlet spud
- 100% factory flush tested

- 2294.011** Top spud
- 2296.019** Top spud with slotted rim for bedpan holding (White only)

Afwall ADA 1.6 replaces standard wall-hung 3.5 or 1.6 models and roughs-in at 410mm (16-1/8") rim height **to meet ADA with no need to modify the existing carrier or through wall supply** (providing centerline of current outlet is 133mm [5-1/4"] above finished floor).

American Standard kit #736046-100 Flush Valve Conversion Kit containing a 25mm (1") chrome-plated street ell, a vacuum breaker, and a 330mm (13") tail piece included to meet minimum 152mm (6") code between bowl and vacuum breaker.

Recommended working pressure--between 30 psi at valve when flushing and 80 psi static

**Compliance Certifications -**

**Meets or Exceeds the Following Specifications:**

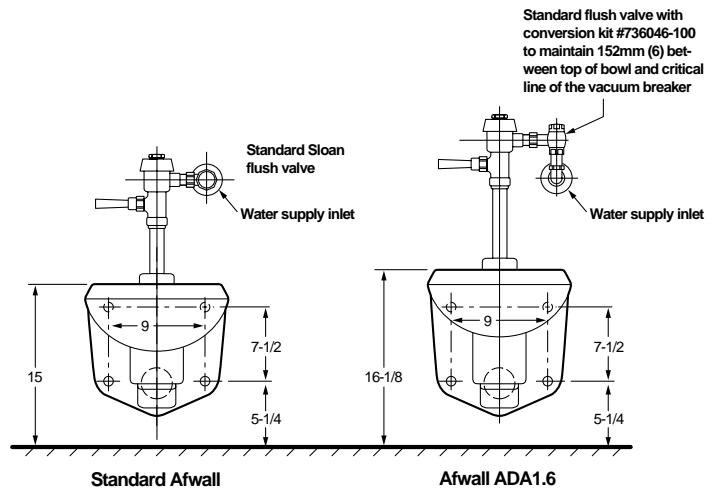
- ASME A112.19.2M (and 19.6M) for Vitreous China Fixtures - includes Flush Performance, Ball Pass Diameter, Trap Seal Depth and all Dimensions

Nominal Dimensions: 635 x 375 x 410mm (25" x 14-3/4" x 16-1/8")

Seat, carrier, bolt caps, and flush valve by others.

NOTE: Roughing-in information shown on reverse side of page.

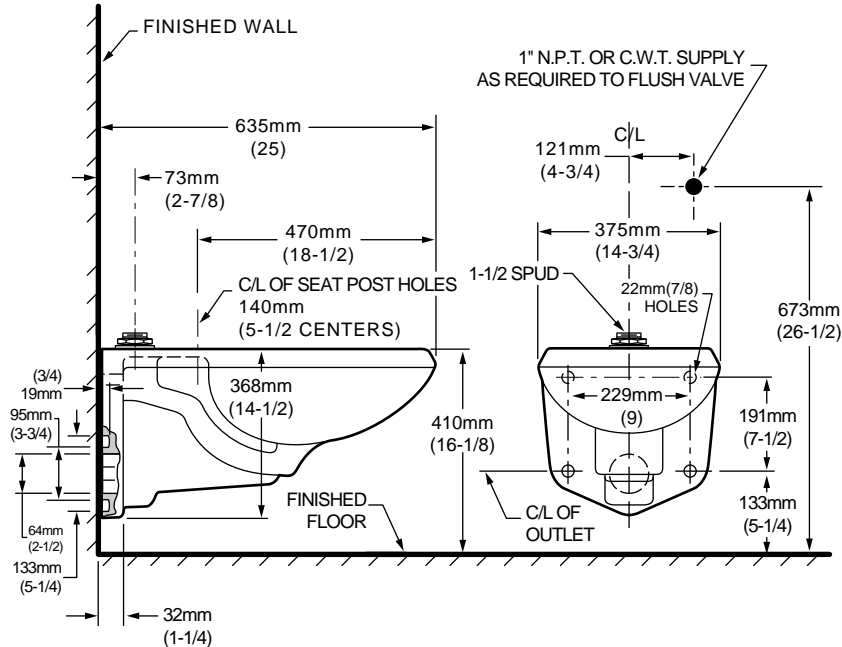
\* Patent Pending



**To Be Specified**

- Color:  White  Bone  Silver  Shell  Black
- Seat: Olsonite #95 open front seat less cover
- Seat: Church #9500C open front seat less cover
- Alternate Seat:
- Kit to convert existing flush valve from 3.5 gpf to 1.6 gpf:
  - Coyne Delaney: Kit No. F144-1.6ACQ  
Cap No. F159-1.6AQ
  - Sloan Royal: Kit No. A-41-A 1.6 Gal Closet Kit LC  
Cap No. A-72 C.P.
  - Zurn: Kit No. Z6000EC-WSI  
Cap No. Z6000LL for WSI flush valve
- Flush Valve: Sloan Royal #111 or equal
- Carrier Fitting J.R. Smith 210L or equal

2294.011/2296.019



● When installed so top of seat is 432 to 483mm (17" to 19") from the finished floor.

**MEETS THE AMERICAN DISABILITIES ACT GUIDELINES AND ANSI A117.1 REQUIREMENTS FOR ACCESSIBLE AND USEABLE BUILDING FACILITIES—CHECK LOCAL CODES.**

**NOTES:**

PRODUCT 2294.011 SHOWN, 2296.019 SAME AS EXCEPT WITH SLOTTED RIM FOR BED PAN HOLDING.

\* REQUIRES AMERICAN STANDARD KIT 736046-100 TO UPGRADE EXISTING INSTALLATION OF FLUSH VALVE AND COMPONENTS.

WASTE OUTLET SEAL RING MUST BE NEOPRENE OR GRAPHITE-FELT (WAX RING NOT RECOMMENDED).

SUGGESTED 1/16 CLEARANCE BETWEEN FACE OF WALL AND BACK OF BOWL.

TO COMPLY WITH AREA CODE GOVERNING THE HEIGHT OF VACUUM BREAKER ON THE FLUSH VALVE, THE PLUMBER MUST VERIFY DIMENSIONS SHOWN FOR SUPPLY ROUGHING.

FLUSH VALVE NOT INCLUDED WITH FIXTURE AND MUST BE ORDERED SEPARATELY.

CARRIER FITTING AS REQUIRED TO BE FURNISHED BY OTHERS.

PROVIDE SUITABLE REINFORCEMENT FOR ALL WALL SUPPORTS.

IMPORTANT: Dimensions of fixtures are nominal and may vary within the range of tolerance established by ANSI Standard A112.19.2

These measurements are subject to change or cancellation. No responsibility is assumed for use of superseded or voided pages.