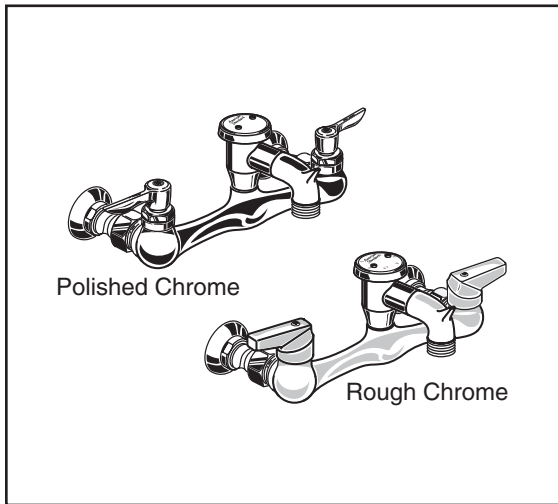


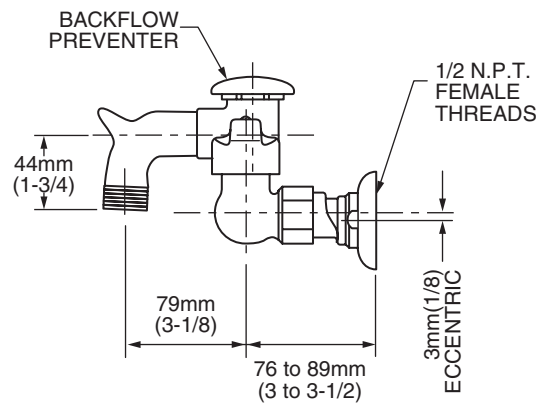
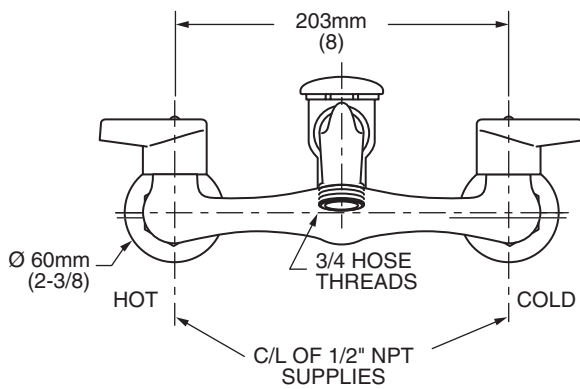
American Standard

EXPOSED YOKE WALL-MOUNT UTILITY FAUCET WITH VACUUM BREAKER



MODEL NUMBER:

- 8340.243 Exposed Yoke Wall-Mount Utility Faucet Vacuum breaker. Metal Lever handles. 1/2"NPT female inlets.



GENERAL DESCRIPTION:

Cast brass body. Metal lever handles with hot and cold indicators. 1/4 turn ceramic disc valve cartridges that are reversible for use on both "hot" and "cold" sides. Vacuum breaker prevents back flow. Spout with bucket hook and threaded hose end. 1/2" female inlets on 8" (203mm) centers.

PRODUCT FEATURES:

Cast Brass Construction: Durable - Excellent in high use applications.

Ceramic Disc Valve Cartridges: Assure a lifetime of drip-free performance.

Vacuum Breaker: Prevents back flow.

Choice of Finishes: Available in Polished or Rough Chrome.

SUGGESTED SPECIFICATION

Exposed yoke wall-mount utility faucet shall feature a cast brass body and spout with bucket hook and metal lever handles. Shall feature a vacuum breaker. Shall also feature 1/4 turn washerless ceramic disc valve cartridges. Fitting shall be American Standard Model # 8340.243.____

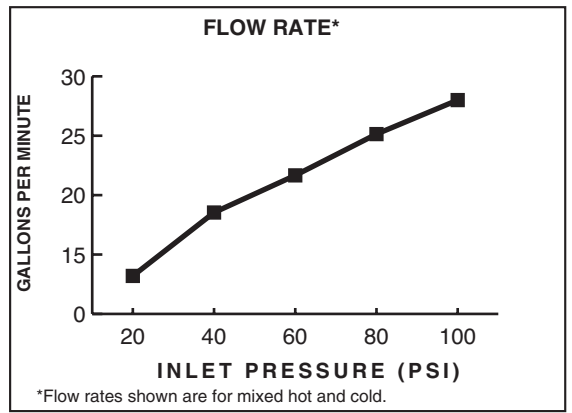


EXPOSED YOKE WALL-MOUNT UTILITY FAUCET WITH VACUUM BREAKER

CODES AND STANDARDS

These products meet or exceed the following codes and standards:

- ASME A112.18.1
- CSA B 125
- ASSE 1001
- ANSI A117.1



Product Number	Description	Finish Options	
		Polished Chrome 002	Rough Chrome 004
8340.243	Exposed yoke wall-mount utility faucet. Vacuum breaker.		

Meets the American Disabilities Act Guidelines and **ANSI A117.1** Requirements for the physically challenged.