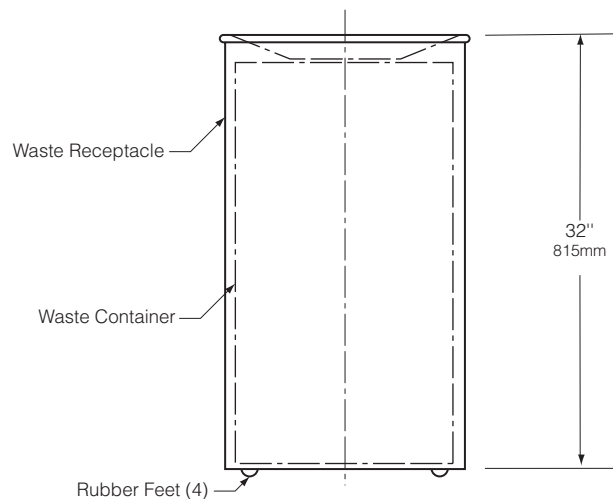
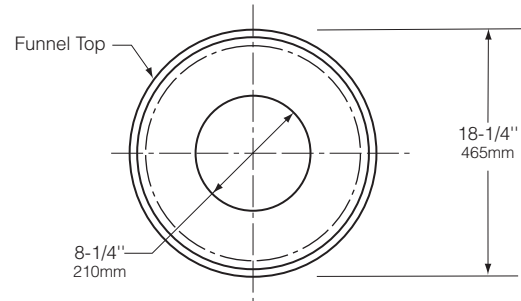


BOBRICK**Technical Data****FLOOR-STANDING
LARGE-CAPACITY
WASTE RECEPTACLE****B-2400****MATERIALS:**

Waste Receptacle — 18-8 S, type-304, 16-gauge (1.6mm) stainless steel with satin finish. All-welded construction. 1/2" (13mm) recessed bottom equipped with four 1-1/2" (40mm) diameter x 3/4" (19mm) high, heavy-duty rubber feet.

Funnel Top — 18-8 S, type-304, 16-gauge (1.6mm) stainless steel with satin finish. One-piece construction. 8-1/4" (210mm) diameter opening.

Waste Container — Galvanized steel with wire handle. Removable for servicing. Capacity: 33-gal. (125-L).

OPERATION:

Funnel top lifts off for removal and servicing of waste container. Wide opening provides hygienic, no-touch waste disposal. Heavy-duty rubber feet protect flooring and elevate receptacle slightly off the floor.

Designer's Note: This unit is not suitable for outside use.

SPECIFICATION:

Floor-standing waste receptacle shall be type-304, 16-gauge (1.6mm) stainless steel with satin finish. One-piece funnel top shall have 8-1/4" (210mm) diameter opening. Bottom of receptacle shall be recessed 1/2" (13mm) and equipped with four heavy-duty rubber feet that elevate receptacle slightly off floor. Removable, galvanized-steel waste container shall have a wire handle and a minimum capacity of 33-gal. (125-L).

Floor-Standing Waste Receptacle shall be Model B-2400 of Bobrick Washroom Equipment, Inc., Clifton Park, New York; Jackson, Tennessee; Los Angeles, California; Bobrick Washroom Equipment Company, Scarborough, Ontario; Bobrick Washroom Pty, Ltd., Australia; and Bobrick Washroom Limited, United Kingdom.