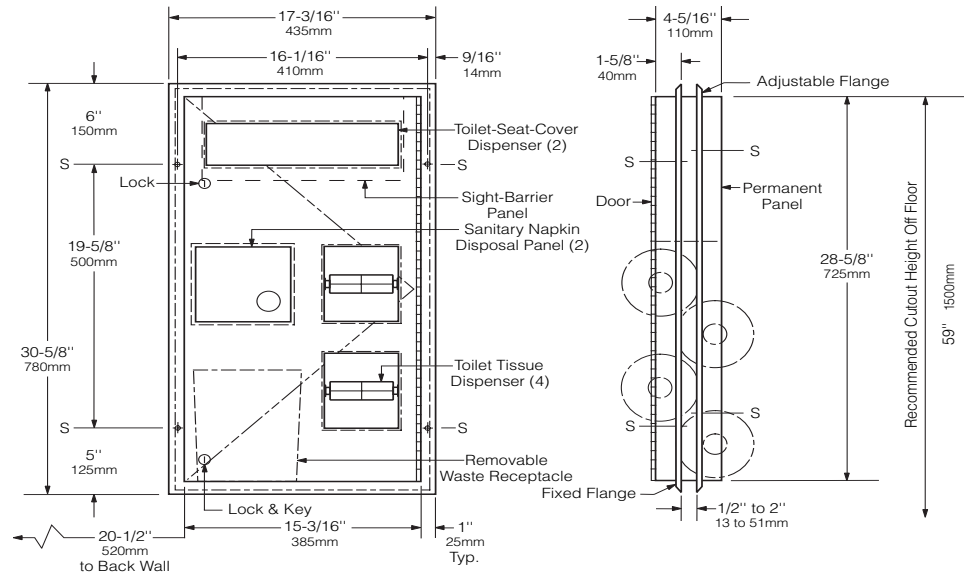


BOBRICK**Technical Data**

**PARTITION-MOUNTED
TOILET-SEAT-COVER DISPENSER,
SANITARY NAPKIN DISPOSAL,
AND TOILET TISSUE DISPENSER
(SERVES TWO TOILET COMPARTMENTS)**

B-357

Rough Partition Cutout
 15-1/2" (395mm) wide
 28-7/8" (735mm) high
 1/2" to 2" (13 to 51mm)
 partition thickness

MATERIALS:

Cabinet — 18-8 S, type-304, heavy-gauge stainless steel. All-welded construction. Exposed surfaces have satin finish. Equipped with a plastic sight-barrier panel for toilet-seat-cover dispenser.

Flanges (2) — 18-8 S, type-304, 22-gauge (0.8mm) stainless steel with satin finish. Drawn and beveled, one-piece, seamless construction.

Door & Permanent Panel — 18-8 S, type-304, 18-gauge (1.2mm) stainless steel with satin finish. One-piece, seamless construction. Door is secured to cabinet with a full-length stainless steel piano-hinge and equipped with two tumbler locks keyed like other Bobrick washroom accessories.

Toilet Tissue Dispensers (4) — .100" (2.5mm) thick ABS. Equipped with four theft-resistant, heavy-duty, one-piece, molded ABS spindles.

Disposal Panels (2) — 18-8 S, type-304, 22-gauge (0.8mm) stainless steel with hemmed edges; exposed surface has satin finish. Secured to cabinet with spring-loaded, full-length stainless steel piano-hinge. Equipped with international graphic symbols identifying napkin disposal.

Waste Receptacle — Leak-proof molded polyethylene. Removable for servicing. Capacity: 0.8 gal. (3.0 L).

OPERATION:

Toilet-seat-cover dispenser is serviced from one side and holds 1000 single- or half-fold paper covers. Door unlocks with key provided and swings open for filling. Spindles may be removed from cabinet only when door is open. Receptacle is removable from one side of unit for servicing. Unit holds four standard-core toilet tissue rolls up to 5-1/4" (135mm) diameter (1800 sheets), two for each compartment.

Designer's Note: It is recommended that one full toilet tissue roll remain wrapped until the other roll has been depleted to avoid wasting ends of both rolls. Disposable liners are available as an accessory for sanitary napkin disposal: order Bobrick Part No. 353-12.

continued . . .

INSTALLATION:

Mount unit in toilet partition 1/2" to 2" (13 x 51mm) thick, centered through a cutout specially ordered from partition manufacturer or field cut. Dimensions of cutout are to be 15-1/2" wide x 28-7/8" high (395 x 735mm). For factory-made cutouts, location and size details must be furnished to partition manufacturer. For hollow-core metal partitions, provide solid framing into which mounting screws can be secured.

For installation with sheet-metal screws furnished, place unit firmly in partition cutout, making certain entire perimeter of fixed flange is flush with and tight against partition surface. Secure to partition with sheet-metal screws through four mounting holes at points indicated by an S. On other side of partition, position adjustable flange (which serves as an escutcheon) so mounting holes are not inline with mounting holes in fixed flange. Make certain entire perimeter of adjustable flange is flush with and tight against partition surface before securing with sheet-metal screws furnished.

For through-bolting method of installation, make sure mounting holes in adjustable flange are inline with holes in fixed flange. Using adjustable flange as template to mark locations, drill 7/32" or 1/4" (5.5 or 6.4mm) holes through partition. Provide four binder posts and #6 (3.5mm) flat-head screws to secure unit and its adjustable flange. Obtain binder posts and screws by ordering Bobrick Binder Post Kit No. 354-119 for partitions 1/2" (13mm) thick only or Kit No. 354-124 for partitions 3/4" to 1-1/4" (19 to 32mm) thick.

Note: Cutouts in Bobrick toilet partitions can be pre-cut for Bobrick partition-mounted accessories at factory if location and size of cutouts are specified and order for both partitions and accessories are received together.

SPECIFICATION:

Partition-mounted toilet-seat-cover dispenser, sanitary napkin disposal, and toilet tissue dispenser shall be type-304 stainless steel with all-welded construction; exposed surfaces shall have satin finish. Toilet tissue dispenser shall be ABS plastic. Flanges shall be drawn and beveled, one-piece, seamless construction. Unit shall mount in partition and serve two toilet compartments. Door shall be one-piece, seamless construction; secured to cabinet with a full-length stainless steel piano-hinge; and equipped with two tumbler locks keyed like other Bobrick washroom accessories. Self-closing disposal panels shall be secured to cabinet with spring-loaded, full-length stainless steel piano-hinges, have hemmed edges and equipped with international graphic symbols identifying napkin disposal. Napkin disposal shall be furnished with a removable, leak-proof, molded polyethylene receptacle with a capacity of 0.8 gal. (3.0 L). Toilet-seat-cover dispenser and sanitary napkin disposal shall be serviced from one side only. Toilet-seat-cover dispenser shall be equipped with a plastic sight-barrier panel and hold 1000 paper covers. Unit shall be equipped with four theft-resistant, heavy-duty ABS toilet tissue spindles that hold standard-core rolls up to 5-1/4" (135mm) diameter (1800 sheets). Spindles shall be removable from cabinet only when door is open. Manufacturer's service and parts manual shall be provided to the building owner/manager upon completion of project.

Partition-Mounted Toilet-Seat-Cover Dispenser, Sanitary Napkin Disposal, And Toilet Tissue Dispenser shall be Model B-357 of Bobrick Washroom Equipment, Inc., Clifton Park, New York; Jackson, Tennessee; Los Angeles, California; Bobrick Washroom Equipment Company, Scarborough, Ontario; Bobrick Washroom Equipment Pty. Ltd., Australia; and Bobrick Washroom Equipment Limited, United Kingdom.