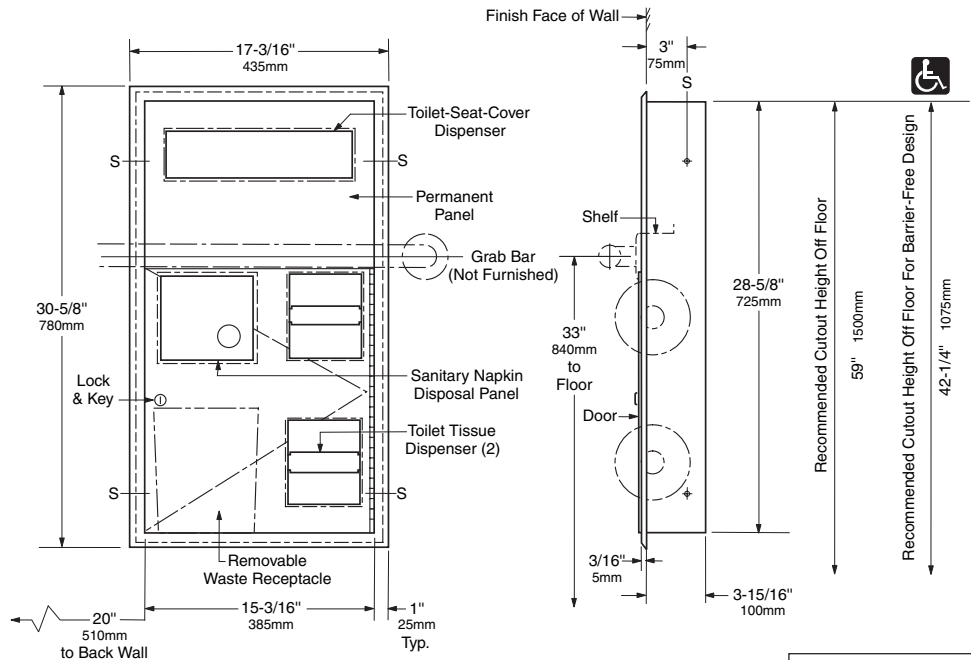




Technical Data

RECESSED TOILET-SEAT-COVER DISPENSER, SANITARY NAPKIN DISPOSAL, AND TOILET TISSUE DISPENSER

B-3574



Rough Wall Opening
 16" (405mm) wide
 29-1/4" (745mm) high
 4" (102mm) minimum recessed depth

MATERIALS:

Cabinet — 18-8 S, type-304, heavy-gauge stainless steel. All-welded construction. Exposed surfaces have satin finish.

Flange — 18-8 S, type-304, 22-gauge (0.8mm) stainless steel with satin finish. Drawn and beveled, one-piece, seamless construction.

Door — 18-8 S, type-304, 18-gauge (1.2mm) stainless steel with satin finish. One-piece, seamless construction. Secured to cabinet with a full-length stainless steel piano-hinge. Equipped with a tumbler lock keyed like other Bobrick washroom accessories.

Permanent Panel — 18-8 S, type-304, 22-gauge (0.8mm) stainless steel with satin finish.

Toilet Tissue Dispensers (2) — .100" (2.5mm) thick ABS. 18-8 S, type-304, 26-gauge (0.5mm) stainless steel waste deflector attached to the top toilet tissue dispenser only. Equipped with two theft-resistant, high-impact polystyrene spindles, each with a heavy-duty internal spring and concealed locking mechanism.

Disposal Panel — 18-8 S, type-304, 22-gauge (0.8mm) stainless steel with hemmed edges; exposed surface has satin finish. Secured to door with a spring-loaded, full-length stainless steel piano-hinge. Equipped with an international graphic symbol identifying napkin disposal.

Waste Receptacle — Leak-proof molded polyethylene. Removable for servicing. Capacity: 0.8 gal. (3.0 L).

OPERATION:

Door unlocks with key provided and swings open for filling. Toilet-seat-cover dispenser fills from below the internal shelf and holds 500 single- or half-fold paper covers. Spindles may be removed from cabinet when door is open; when door is closed, removal requires special key provided for the concealed locking mechanism in spindles. Receptacle is removable for servicing. Unit holds two standard-core toilet tissue rolls up to 5-1/4" (135mm) diameter (1800 sheets).

Designer's Note: It is recommended that one full toilet tissue roll remain wrapped until the other roll has been depleted to avoid wasting ends of both rolls. Disposable liners are available as an accessory for sanitary napkin disposal: order Bobrick Part No. 353-12.

continued . . .

INSTALLATION:

Provide framed rough wall opening 16" wide x 29-1/4" high (405 x 745mm). Minimum recessed depth required from finish face of wall is 4" (102mm). Top of wall opening should be 42-1/4" (1075mm) from finish face of floor with rear edge of opening 20" (510mm) from back wall of compartment to allow placement of horizontal grab bar at 33" (840mm) height across front of unit. Allow clearance for construction features that may protrude into rough wall opening from opposite wall. Coordinate with mechanical engineer to avoid pipes, vents, and conduits in wall. If unit projects above top of wainscot, provide aluminum channel or other filler to eliminate gap between flange and finish face of wall. Mount unit in wall opening with shims between framing and cabinet at all points indicated by an S, then secure unit with #8 x 1-1/4" (4.2 x 32mm) sheet-metal screws (not furnished).

SPECIFICATION:

Recessed toilet-seat-cover dispenser, sanitary napkin disposal, and toilet tissue dispenser shall be type-304 stainless steel with all-welded construction; exposed surfaces shall have satin finish. Toilet tissue dispensers shall be ABS plastic with a type-304 stainless steel waste deflector attached to the top tissue dispenser. Flange shall be drawn and beveled, one-piece, seamless construction. Unit shall mount flush against side wall of barrier-free toilet compartment to allow clearance for grab bar across front of unit. Door shall be one-piece, seamless construction; secured to cabinet with a full-length stainless steel piano-hinge; and equipped with a tumbler lock keyed like other Bobrick washroom accessories. Toilet-seat-cover dispenser shall fill from below the internal shelf and hold 500 paper covers. Self-closing disposal panel shall be secured to door with a spring-loaded, full-length stainless steel piano-hinge, has hemmed edges and equipped with an international graphic symbol identifying napkin disposal. Sanitary napkin disposal shall be furnished with a removable, leak-proof, molded polyethylene receptacle with a capacity of 0.8 gal. (3.0 L). Unit shall be equipped with two theft-resistant, high-impact polystyrene toilet tissue spindles that hold standard-core rolls up to 5-1/4" (135mm) diameter (1800 sheets). Spindles shall be removable from cabinet when door is open; when door is closed, removal shall require a special key provided for the concealed locking mechanism in spindles. Manufacturer's service and parts manual shall be provided to the building owner/manager upon completion of project.

Recessed Toilet-Seat-Cover Dispenser, Sanitary Napkin Disposal, And Toilet Tissue Dispenser shall be Model B-3574 of Bobrick Washroom Equipment, Inc., Clifton Park, New York; Jackson, Tennessee; Los Angeles, California; Bobrick Washroom Equipment Company, Scarborough, Ontario; Bobrick Washroom Equipment Pty. Ltd., Australia; and Bobrick Washroom Equipment Limited, United Kingdom.