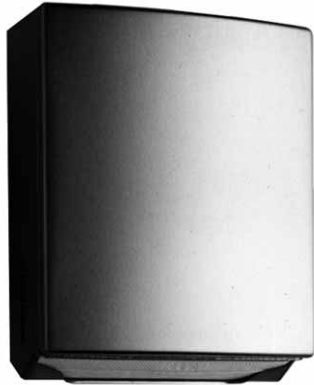
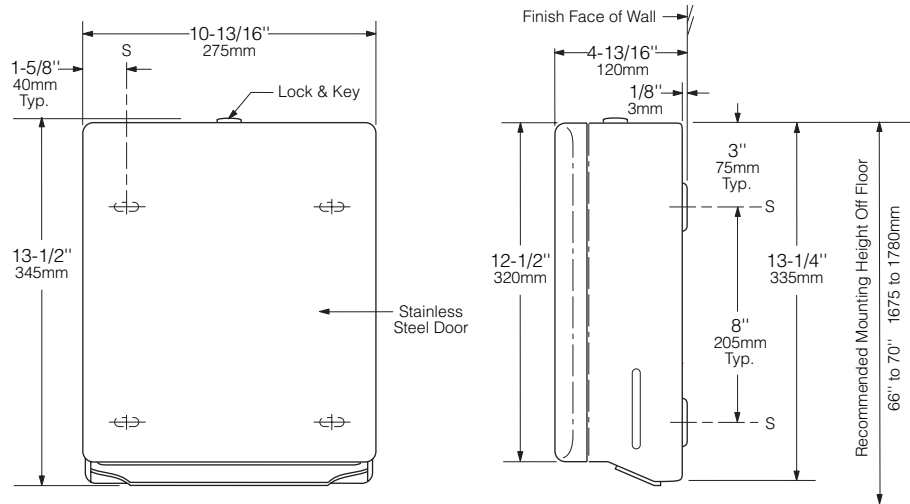


BOBRICK**Technical Data****CONTURA™ SERIES
SURFACE-MOUNTED
PAPER TOWEL DISPENSER****B-4262**

Patented

**MATERIALS:**

Cabinet — 18-8 S, type-304, 22-gauge (0.8mm) stainless steel. All-welded construction. Exposed surfaces have satin finish. Radius on corners of cabinet match corners and edges of door and other Bobrick Contura Series washroom accessories. Back has recessed mounting slots to prevent mounting screw heads from snagging towels. Rounded towel tray has hemmed opening to dispense paper towels without tearing. Equipped with a semi-recessed tumbler lock keyed like other Bobrick washroom accessories. Capacity: 400 C-fold or 525 multifold paper towels 3-1/8" to 3-13/16" (79–97mm) deep. Furnished with internal towel tray adapter kit for dispensing narrower towels 2-1/2" to 3-1/8" (64–79mm) deep.

Door — 18-8 S, type-304, 22-gauge (0.8mm) stainless steel with satin finish. Drawn, one-piece, seamless construction. Front of door has same degree of arc as other Bobrick Contura Series washroom accessories. Radius on corners and edges match corners of cabinet and other Contura Series accessories. Secured to cabinet with a full-length stainless steel piano-hinge.

OPERATION:

Unit dispenses C-fold or multifold paper towels 3-1/8" to 3-13/16" (79–97mm) deep without adjustment or use of adapters. Internal towel tray adapter kit provided to allow dispensing of narrower towels 2-1/2" to 3-1/8" (64–79mm) deep. Slots in sides of cabinet indicate refill time. After unlocking with key provided, door swings down for loading paper towels into cabinet.

INSTALLATION:

Mount unit on wall with four #10 x 1-1/4" (4.8 x 32mm) sheet-metal screws (not furnished) at points indicated by an S. For plaster or dry wall construction, provide concealed backing to comply with local building codes, then secure unit with sheet-metal screws. For other wall surfaces, provide fiber plugs or expansion shields for use with sheet-metal screws, or provide 1/8" (3mm) toggle bolts or expansion bolts.

SPECIFICATION:

Surface-mounted paper towel dispenser shall be type-304 stainless steel with all-welded construction; exposed surfaces shall have satin finish. Front of paper towel dispenser door shall have same degree of arc as other Bobrick Contura™ Series accessories in the washroom. Radius on corners and edges of door and cabinet shall complement other Bobrick Contura™ Series washroom accessories. Door shall be drawn, one-piece, seamless construction; secured to cabinet with a full-length stainless steel piano-hinge; and equipped with a tumbler lock keyed like other Bobrick washroom accessories. Unit shall be capable of dispensing 400 C-fold or 525 multifold paper towels 3-1/8" to 3-13/16" (79–97mm) deep without adjustment or use of adapters. Unit shall be furnished with internal towel tray adapter kit for dispensing narrower towels 2-1/2" to 3-1/8" (64–79mm) deep. Manufacturer's service and parts manual shall be provided to the building owner/manager upon completion of project.

Surface-Mounted Paper Towel Dispenser shall be Model B-4262 of Bobrick Washroom Equipment, Inc., Clifton Park, New York; Jackson, Tennessee; Los Angeles, California; Bobrick Washroom Equipment Company, Scarborough, Ontario; Bobrick Washroom Equipment Pty. Ltd., Australia; and Bobrick Washroom Equipment Limited, United Kingdom.