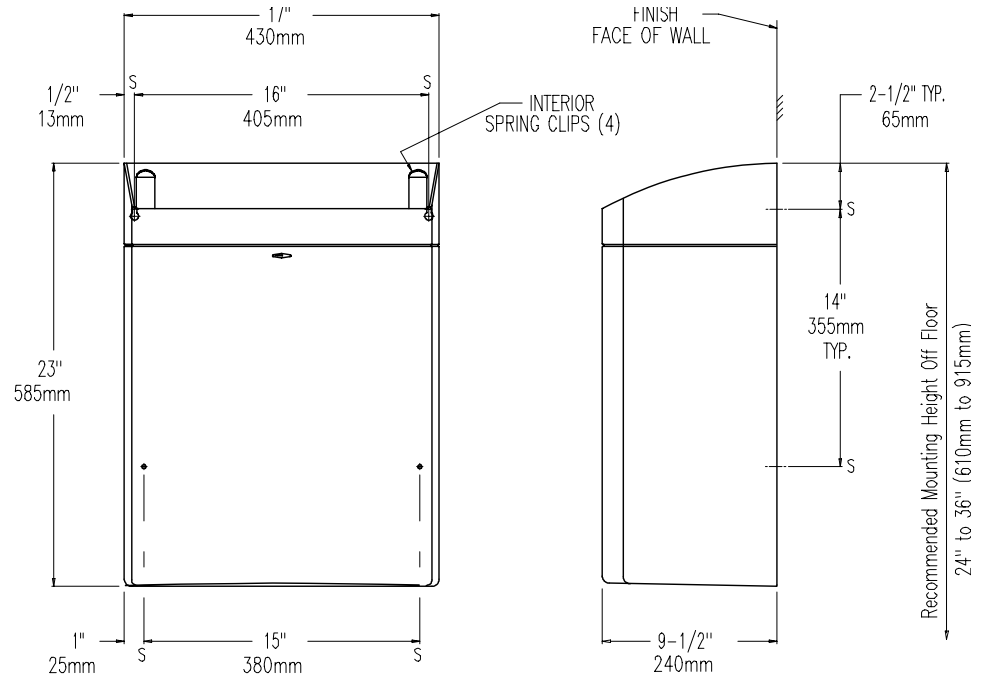


BOBRICK**Technical Data****MATRIX™ SERIES
SURFACE-MOUNTED
WASTE RECEPTACLE****B-5277**

Patented

**MATERIALS:**

Durable, impact-resistant grey polymer with high-gloss finish on exposed surfaces. Front of waste receptacle has same degree of arc as other Bobrick Matrix Series washroom accessories. Radius on edges and top of waste receptacle complement other Matrix Series accessories. Equipped with four mounting screw holes and four liner clips for securing optional vinyl liner. Capacity: 13 gal. (49.2 L).

OPERATION:

Top edge has radius for safe handling. The space between bottom of waste receptacle and the floor when unit is properly mounted facilitates floor cleaning. For Liner Clip Replacement Kit (set of 2 clips), order Bobrick Part No. 5277-13. Reusable Heavy-Gauge Vinyl Liner is available as an optional accessory: order Bobrick Part No. 5277-12

INSTALLATION:

Mount unit on wall with four sheet-metal screws (not furnished) at points indicated by an S. For plaster or dry wall construction, provide concealed backing to comply with local building codes, then secure unit with sheet-metal screws. For other wall surfaces, provide fiber plugs or expansion shields for use with sheet-metal screws, or provide 1/8" (3mm) toggle bolts or expansion bolts.

To Mount on Tile Wall: Clean tile wall surface. Use double-sided roll tape, 4" wide x 42-1/2" long x 1/8" thick (100 x 1080 x 3mm) (not furnished by manufacturer). Apply 2 strips of tape vertically to back of receptacle, flush with bottom of receptacle. Stick receptacle to wall and let it set for 24 hours before use.

SPECIFICATION:

Surface-mounted waste receptacle shall be durable, impact-resistant grey polymer with high-gloss finish on exposed surfaces. Front of waste receptacle shall have same degree of arc as other Bobrick Matrix™ Series accessories in the washroom. Radius on edges and top of waste receptacle shall complement other Bobrick Matrix™ Series washroom accessories. Top edge shall have radius for safe handling. Waste receptacle shall be equipped with interior clips for securing optional vinyl liner and shall have four mounting screw holes. Unit shall have a minimum capacity of 13 gal. (49.2 L). Manufacturer's service and parts manual shall be provided to the building owner/manager upon completion of project.

Surface-Mounted Waste Receptacle shall be Model B-5277 of Bobrick Washroom Equipment, Inc., Clifton Park, New York; Jackson, Tennessee; Los Angeles, California; Bobrick Washroom Equipment Company, Scarborough, Ontario; Bobrick Washroom Equipment Pty. Ltd., Australia; and Bobrick Washroom Equipment Limited, United Kingdom.