

FEATURES

- Concealed trapway
- Ingenium™ flushing system
- 1.6 gpf (6L) performance comparable to 3.5 gpf (13L) models
- 12" (30.5cm) rough-in
- Vitreous china
- 10-1/2" (26.7cm) x 9-1/4" (23.5cm) water area
- Elongated bowl
- Comfort height
- Includes polished chrome trip lever
- Combination toilet
- 16-1/2" (41.9cm) high bowl is ADA compliant
- Less seat and supply
- With Insuliner® insulated tank lining (-U)

CODES/STANDARDS APPLICABLE

Specified model meets or exceeds the following:

- ADA
- ASME/ANSI A112.19.2M
- CABO/ANSI A117.1
- Energy Policy Act of 1992 (EPACT)
- CSA
- IAPMO/UPC

COLORS/FINISHES

- 0 White
- Other Refer to Fixtures Price Book for additional colors

Accessories:

- 0 White
- CP Polished Chrome
- PB Polished Brass
- Other Refer to Fixtures Price Book for additional colors

SPECIFIED MODEL:

| Model | Description | Colors/Finishes | |
|--------------------------------|---|---|-------------------------------------|
| K-3481 | Elongated bowl toilet | <input type="checkbox"/> 0 White | <input type="checkbox"/> Other_____ |
| K-3481-U | Toilet with Insuliner tank | <input type="checkbox"/> 0 White | <input type="checkbox"/> Other_____ |
| Recommended Accessories | | | |
| K-4652 | Lustra™ seat with cover | <input type="checkbox"/> 0 White | <input type="checkbox"/> Other_____ |
| K-4652-A | Lustra™ seat with cover (includes anti-microbial agent) | <input type="checkbox"/> 0 White | |
| K-4650 | Lustra™ open front seat | <input type="checkbox"/> 0 White | <input type="checkbox"/> Other_____ |
| K-4670-C | Lustra™ open front seat | <input type="checkbox"/> 0 White | <input type="checkbox"/> Other_____ |
| K-7637 | Angle supply with stop | <input type="checkbox"/> CP <input type="checkbox"/> PB | <input type="checkbox"/> Other_____ |
| Optional Accessories | | | |
| K-9404-L | Trip lever (non-CP) | <input type="checkbox"/> PB | <input type="checkbox"/> Other_____ |

PRODUCT SPECIFICATION:

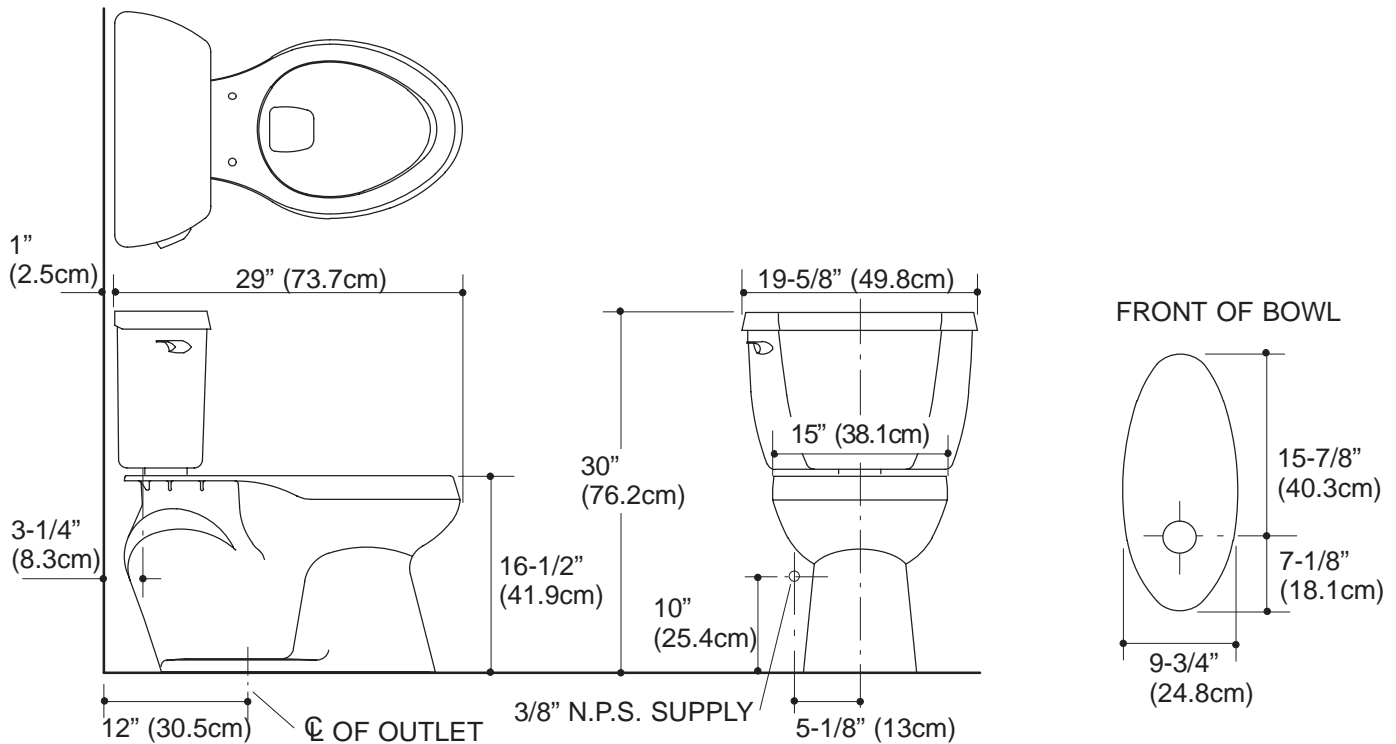
The elongated combination toilet shall be 12" (30.5cm) rough-in. Toilet shall be made of vitreous china. Toilet shall have concealed trapway. Toilet shall have 10-1/2" (26.7cm) x 9-1/4" (23.5cm) water area. Toilets shall have Kohler Ingenium™ flushing system. Toilet shall be at comfort height. Toilet shall be 1.6 gpf (6L). Toilet shall include polished chrome trip lever. Toilet shall be ADA compliant with 16-1/2" (41.9cm) high bowl. Toilet shall be less seat and supply. Toilet shall have Insuliner® insulated tank lining (-U). Toilet shall be Kohler Model K-3481-_____.

WELLWORTH COMFORT HEIGHT™

PRODUCT INFORMATION

| | |
|------------------------|------------------------------------|
| Fixture: | |
| Configuration | 2-piece, elongated |
| Water per flush | 1.6 gallons (6L) |
| Passageway | 2-1/8" (5.4cm) |
| Water area | 10-1/2" (26.7cm) x 9-1/4" (23.5cm) |
| Water depth from rim | 5-1/2" (14cm) |
| Seat post hole centers | 5-1/2" (14cm) |
| Included Components: | |
| Bowl | K-4278 |
| Tank | K-4620 |
| Tank cover | 84591 |
| Trip lever | K-9404 |

Fixture dimensions are nominal and conform to tolerances in ASME Standard A112.19.2M.



116

PRODUCT DIAGRAM