

Features

- Washout urinal.
- 3/4" top spud.
- 0.125 gpf (0.47 lpf) to 1.0 gpf (3.8 lpf).
- 14" (356 mm) extended rim.
- Will replace K-4904-ET.

Material

- Vitreous china.

Water Conservation & Rebates

- WaterSense-compliant when used with a 0.125 gpf or 0.5 gpf WaterSense flushometer.

Recommended Accessories

K-10668 WaterSense® 0.125 gpf Exposed Flushometer
K-10949 WaterSense® 0.125 gpf Exposed Flushometer
K-13520 WaterSense® 0.125 gpf Exposed Flushometer
K-7528 WAVE HES 1/8 GPF Urinal Flushometer
K-7546 WaterSense® 0.125 gpf Exposed Flushometer
K-10675 WaterSense® 0.5 gpf Exposed Flushometer
K-10958 WaterSense® 0.5 gpf Exposed Flushometer
K-7537 0.5 gpf Exposed Flushometer
K-7526 WAVE HES 0.5 GPF Urinal Flushometer
K-13519 0.5 gpf Exposed Flushometer
K-10676 1.0 gpf Exposed Flushometer
K-10960 1.0 gpf Exposed Flushometer
K-13518 1.0 gpf Exposed Flushometer
K-7539 Tripoint™ HES 1.0 GPF Blwout Flushometer
K-7542 1.0 gpf Exposed Flushometer
K-7527 1.0 gpf Exposed flushometer

Components

Additional included component/s: 3/4" inlet spud, 2" outlet spud, Strainer, and Hangers (2).



ADA

Codes/Standards





ASME A112.19.2/CSA B45.1
DOE - Energy Policy Act 1992
EPA WaterSense®
ADA
ICC/ANSI A117.1

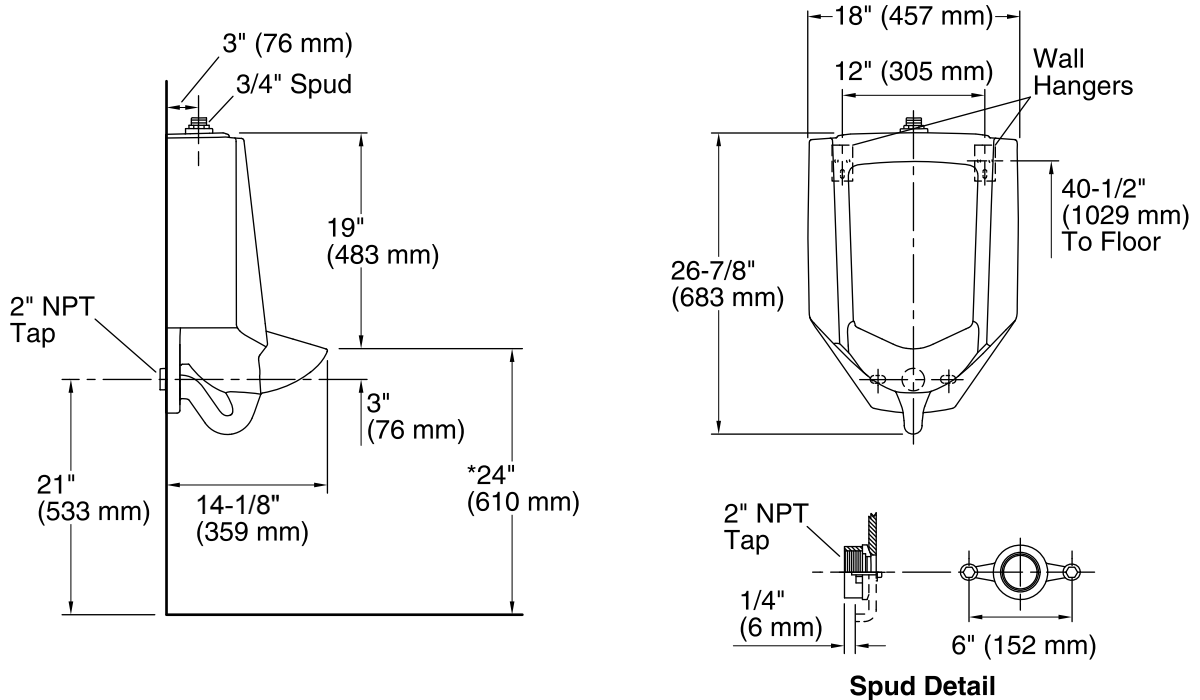
KOHLER® One-Year Limited Warranty

See website for detailed warranty information.

Available Color/Finishes

Color tiles intended for reference only.

| Color | Code | Description |
|--|------|--------------|
|  | 0 | White |
|  | 96 | Biscuit |
|  | 47 | Almond |
|  | 7 | Black Black™ |



Technical Information

All product dimensions are nominal.

Flush outlet technology: Washout

Spud size: 3/4", Inlet, Top

Min. Water per Flush: 0.125 gal (0.5 L)

Max. Water per Flush: 1 gal (3.8 L)

Designed for the above water use when installed with a water-saving flushometer.

Notes

Install this product according to the installation guide.

Refer to manufacturer's instructions and local codes for flushometer requirements.

ADA compliant when installed to the specific requirements of these regulations.