



Royal® Model Flushometer

186
186-1
186-0.5

Description

Exposed Urinal Flushometer, for 3/4" top spud urinals.

Flush Cycle

- Model 186 Water Saver (1.5 gpf/5.7 Lpf)
- Model 186-1 Low Consumption (1.0 gpf/3.8 Lpf)
- Model 186-0.5 (0.5 gpf/1.9 Lpf)

Specifications

Quiet, Exposed, Diaphragm Type, Chrome Plated Urinal Flushometer with the following features:

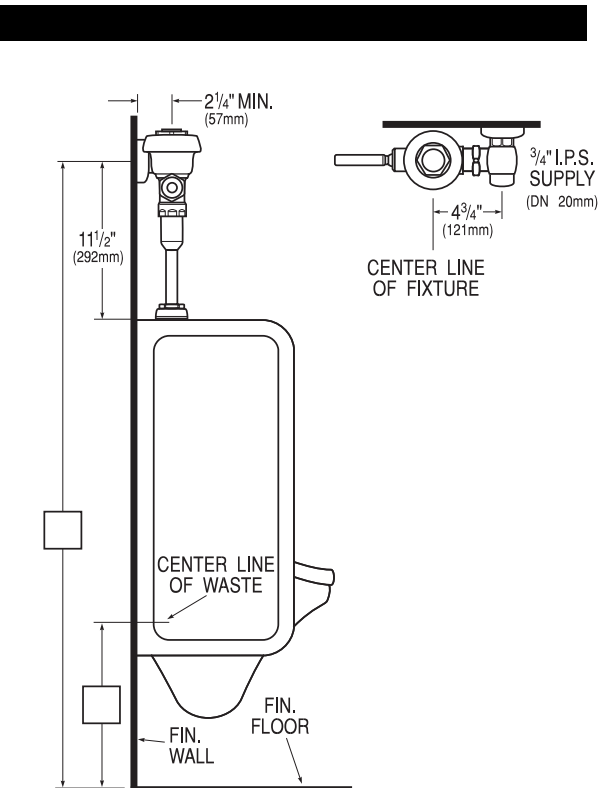
- Dual Filtered By-Pass
- Diaphragm, Handle Packing, Stop Seat and Vacuum Breaker to be molded from PERMEX™ rubber compound for Chloramine resistance
- ADA Compliant Metal Oscillating Non-Hold-Open Handle with a Triple Seal Handle Packing
- 3/4" I.P.S. Screwdriver Bak-Chek™ Angle Stop
- Free Spinning Vandal Resistant Stop Cap
- Adjustable Tailpiece
- High Back Pressure Vacuum Breaker Flush Connection with One-piece Bottom Hex Coupling Nut
- Spud Coupling and Flange for 3/4" Top Spud
- Sweat Solder Adapter with Cover Tube and Cast Set Screw Wall Flange

Valve Body, Cover, Tailpiece and Control Stop shall be in conformance with ASTM Alloy Classification for Semi-Red Brass. Valve shall be in compliance to the applicable sections of ASSE 1037, ANSI/ASME 112.19.6, and Military Specification V-29193.

Variations

- BG** Bio-Gard™ Handle
- HL-3** 3" Metal Oscillating Palm Button on front of valve (does not meet ADA requirements)

See Accessories Section of the Sloan catalog for details on these and other Flushometer variations.



Listed by I.A.P.M.O.

This space for Architect/Engineer approval

The information contained in this document is subject to change without notice.

SLOAN

Made in the U.S.A.

SLOAN VALVE COMPANY • 10500 SEYMOUR AVE. • FRANKLIN PARK, IL 60131
PHONE: 1-800 982-5839 • FAX: 1-800 447-8329 • <http://www.sloanvalve.com>