

Clinton 832

12" Rough in



PHYSICAL PROPERTIES

Model: 832

Water Surface: 9" x 7" (229mm x 178mm)

Water Seal: 3" (76mm)

Trapway Ball Pass: 1 3/4" (44.5mm)

Trapway Diameter: 1 7/8" (47.6mm)

Water Consumption per Flush:
6 litres, 1.6 gallons

Shipping Weight: 84 lbs (38.2 kg)

Shipping Cube: 4.35 (0.12m³)

Minimum Rough-in: 11" (280mm)

Fill Valve: ENDURO MB 3046

Flush Valve: ENDURO MB 1017

Tank Lever: E-TRIP-W-F

Flapper No: M-FLPD-B

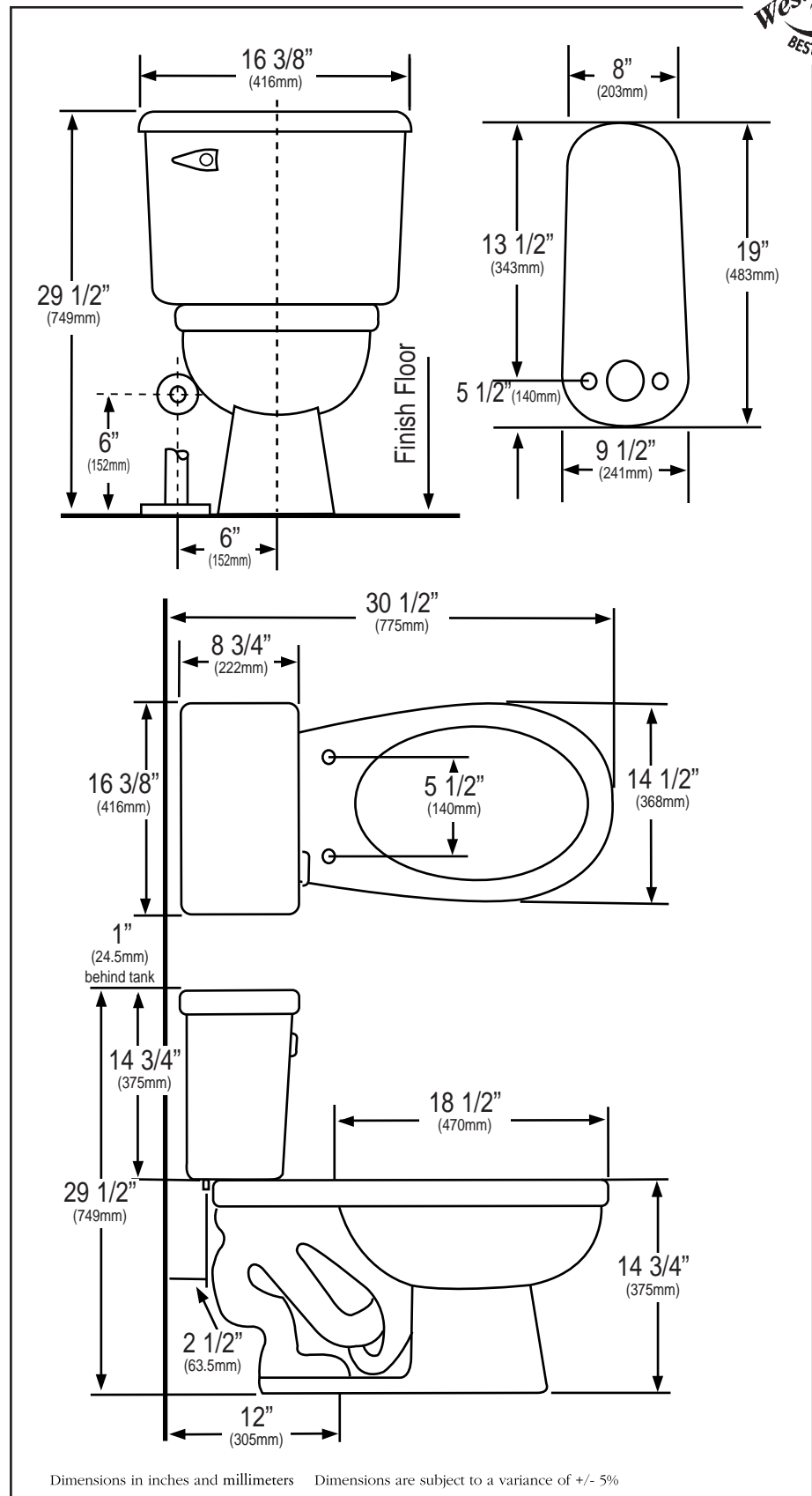
TECHNICAL NOTES:

- Our customers tell us it's "the best flushing toilet in America".
- Exclusive **Vortex-Jet™** flush action provides a Full Force Flush and exceptional bowl cleaning performance on 1.6 gal. (6 litres) per flush.
- Full size water surface and seal for a clean and sanitary bowl.
- **Sani-Glazed™** trapway gives years of sanitary trouble free use.
- **Quik-Install™** tank to bowl fittings speeds installation and reduces potential breakage.
- Available in Ivory Bone, Western White and Cashmere.
- **IAPMO® listed, City of Los Angeles, New York State, Texas, Massachusetts and Ⓢ approved.**

Tank - T8ULF - W, B or C

Lined Tank - T8ULF - W, B or C

Bowl - B832 - W, B or C



WP Industries, Inc.

Toll Free: 877-WPWORKS

email: info@wpindustries.com / website: www.wpindustries.com

US Sales and Service

Canadian Sales

Phone 562.229.0910

Phone 604.688.2464

Fax 562.229.0930

Fax 604.688.0097