

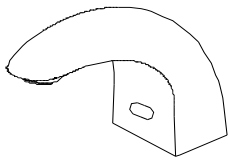
# Parts List

## AEF-300/300T SERIES

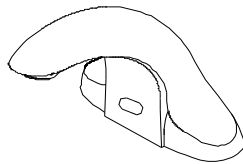
### SENSOR FAUCET SYSTEMS

HYBRIDFLO<sup>®</sup> FIXEDFLO<sup>®</sup> HEALTHFLO<sup>®</sup>

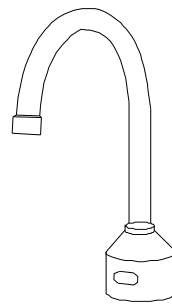
---



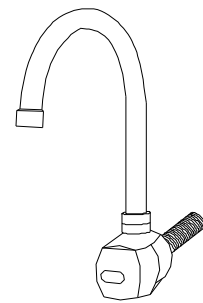
AEF-300



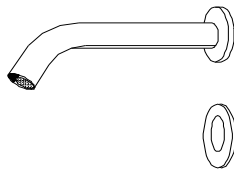
AEF-301



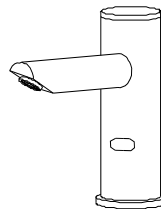
AEF-302



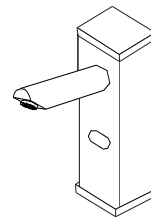
AEF-303



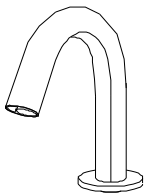
AEF-304



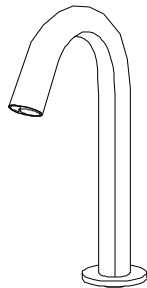
AEF-306



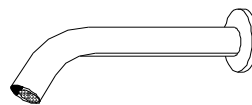
AEF-307



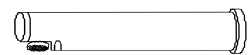
AEF-300T



AEF-302T



AEF-304T



AEF-305T



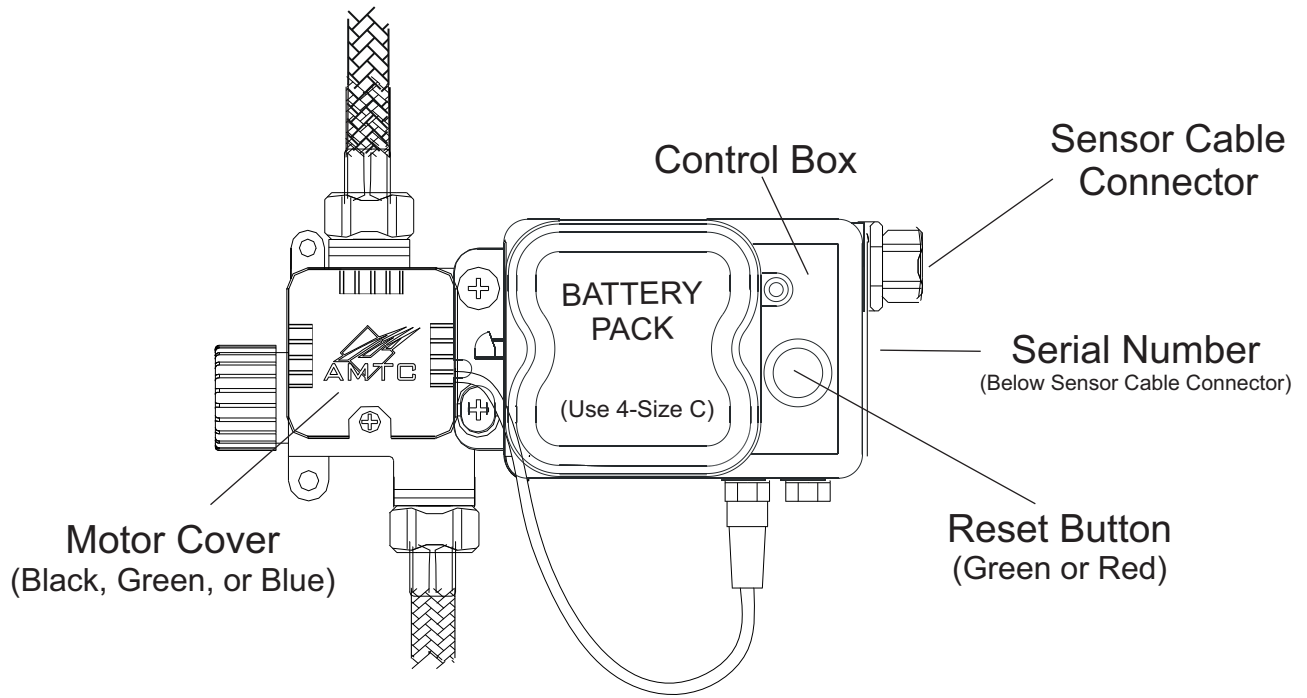
**Advanced Modern Technologies Corporation**

19800 Nordhoff Place, Chatsworth, CA 91311

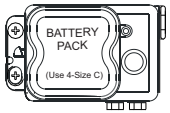
Tel: (818) 883-2682 Toll Free: (800) 874-7822 Fax: (818) 883-2620

[www.amtccorporation.com](http://www.amtccorporation.com)

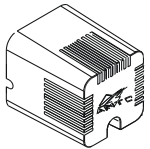
# Identify Your Faucet System



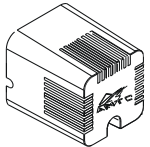
## Identify Your Operating System



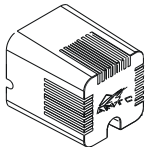
- Green Reset Button = 300 Series
- Red Reset Button = 300T Series



- Black Motor Cover = HYBRIDFLO®

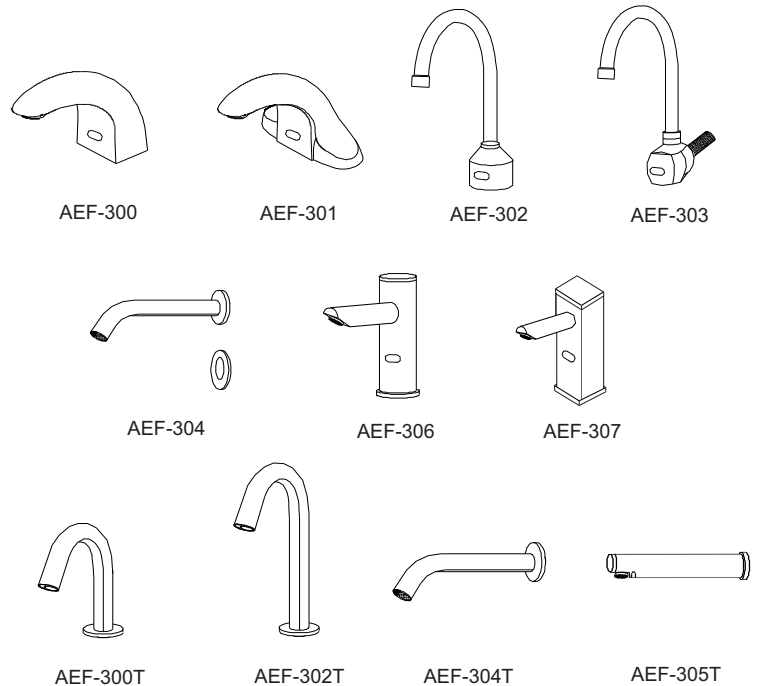


- Green Motor Cover = FIXEDFLO®



- Blue Motor Cover = HEALTHFLO®

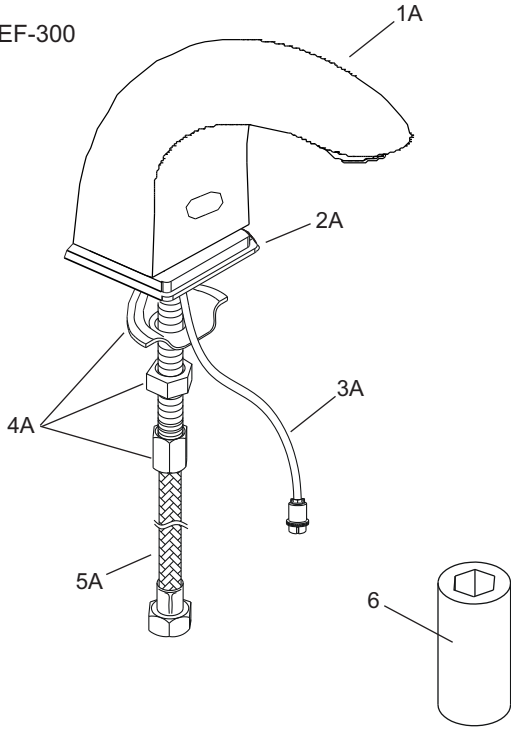
## Identify Your Faucet Model



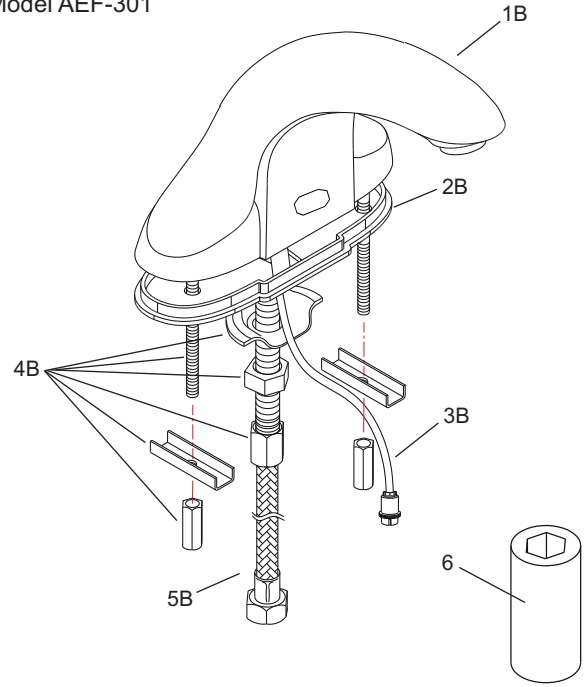
# Spout Parts Diagrams

Make sure you identify your faucet system before referring to the Parts List.

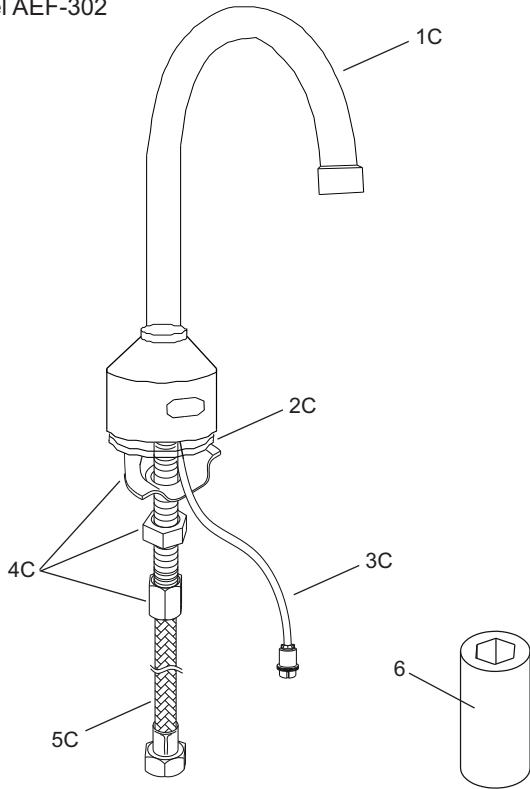
Model AEF-300



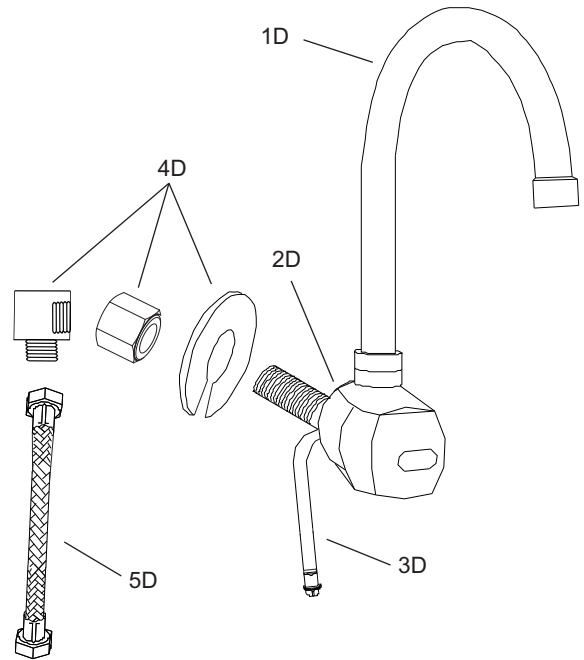
Model AEF-301



Model AEF-302



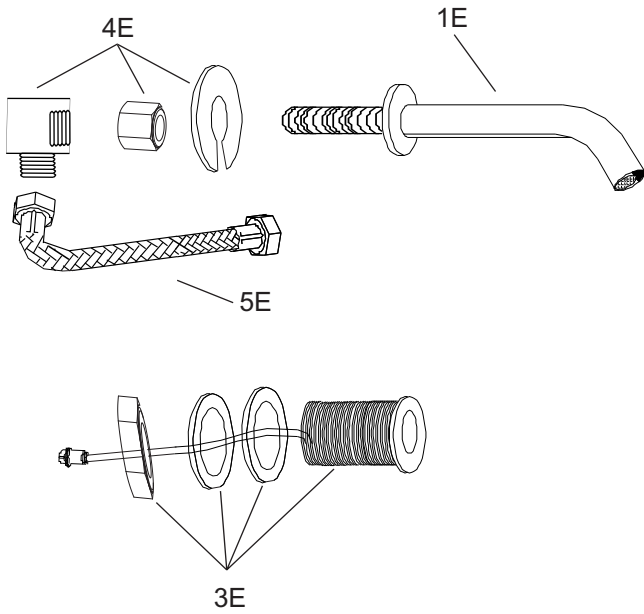
Model AEF-303



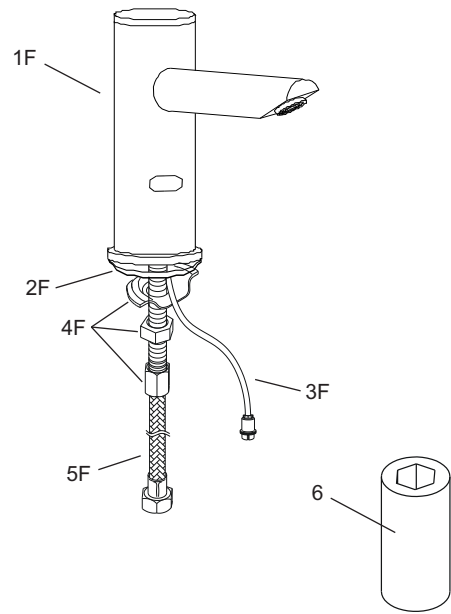
# Spout Parts Diagrams

Make sure you identify your faucet system before referring to the Parts List.

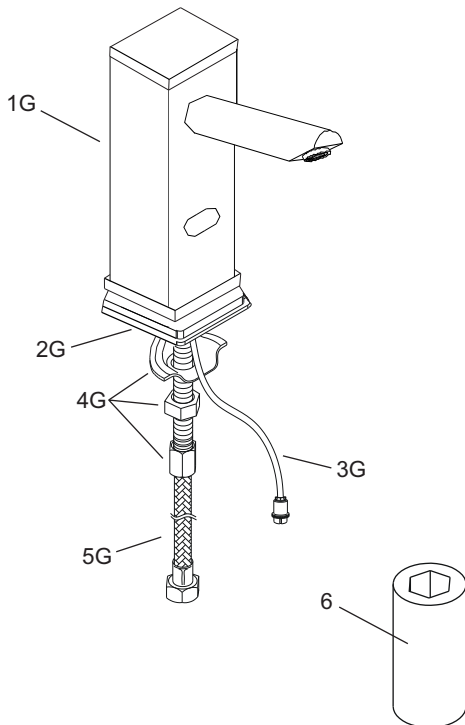
Model AEF-304



Model AEF-306



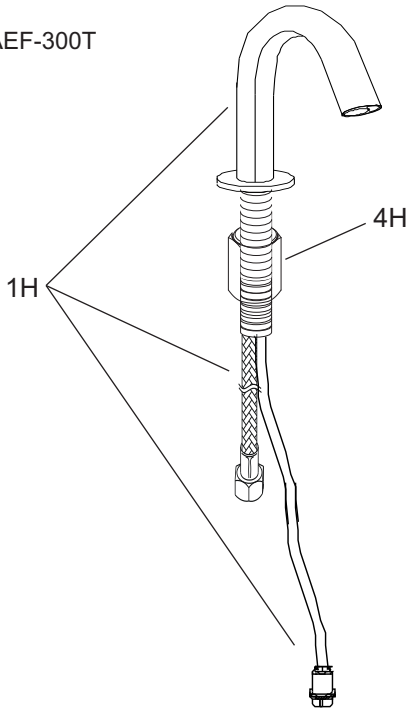
Model AEF-307



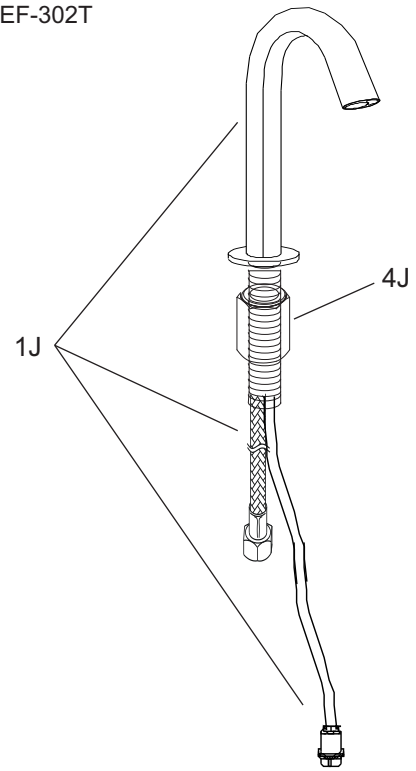
# Spout Parts Diagrams

Make sure you identify your faucet system before referring to the Parts List.

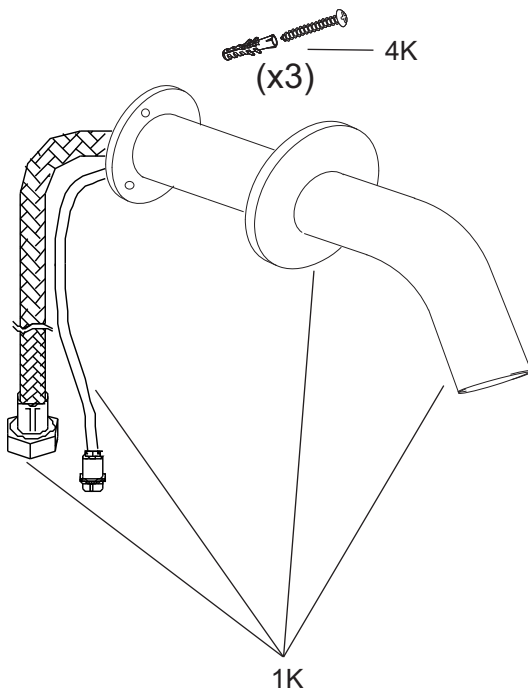
Model AEF-300T



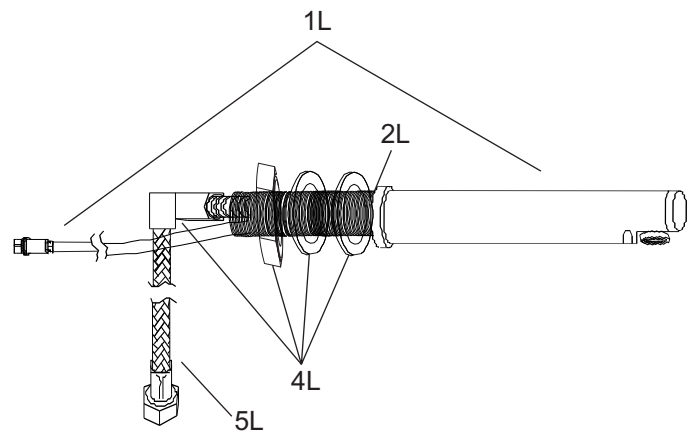
Model AEF-302T



Model AEF-304T



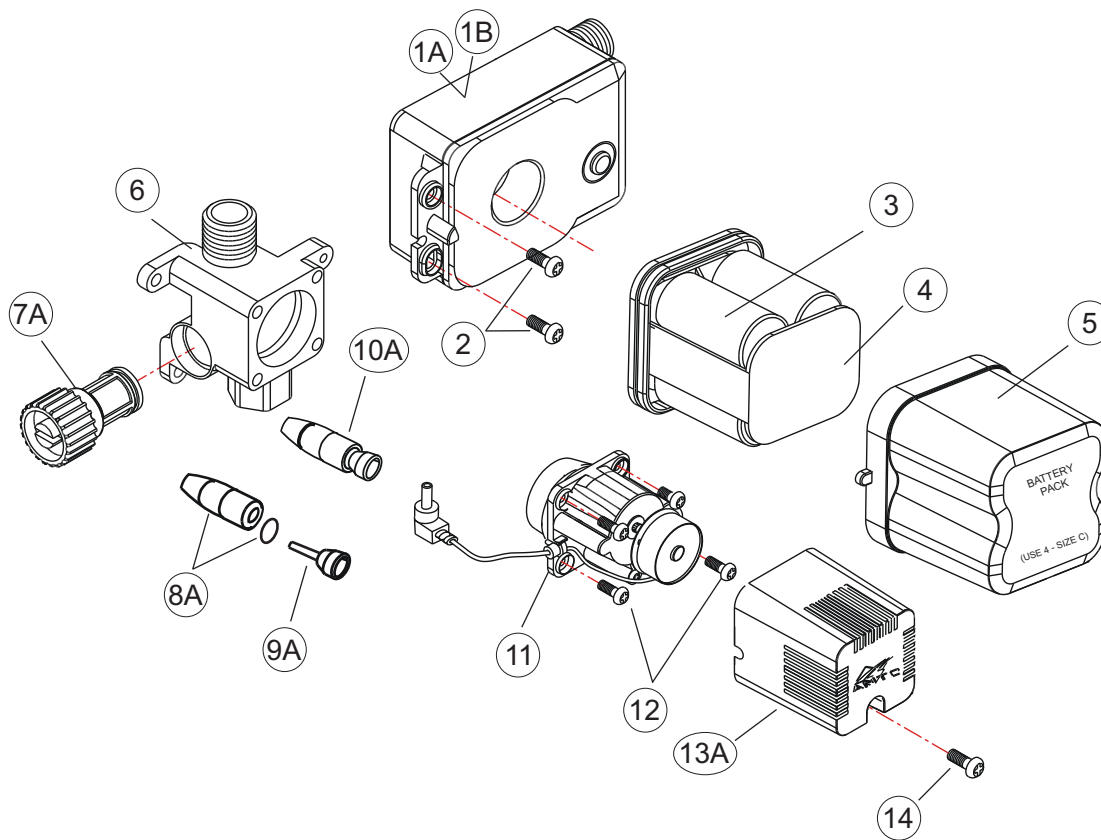
Model AEF-305T

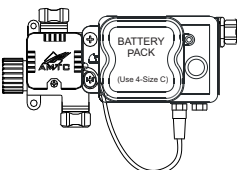
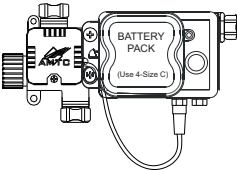



# Spout Parts List

REF #	PART #	DESCRIPTION
1A	SP300	AEF-300 Deck Mounted Spout (Chrome Finish)
1H	SP300T	AEF-300T Deck Mounted Spout (Chrome Finish) - Includes Sensor Cable
1B	SP301	AEF-301 Deck Mounted Spout (Chrome Finish)
1C	SP302	AEF-302 Deck Mount Gooseneck Spout (Chrome Finish)
1J	SP302T	AEF-302T Deck Mount Gooseneck Spout (Chrome Finish) - Includes Sensor Cable
1D	SP303	AEF-303 Back Mounted Gooseneck Spout (Chrome Finish)
1E	SP304	AEF-304 Back Mounted Spout (Chrome Finish)
1K	SP304T	AEF-304T Back Mounted Spout (Chrome Finish) - Includes Sensor Cable
1L	SP305T	AEF-305T Back Mounted Spout (Chrome Finish) - Includes Sensor Cable
1F	SP306	AEF-306 Deck Mounted Spout (Chrome Finish)
1G	SP307	AEF-307 Deck Mounted Spout (Chrome Finish)
2A	RB300	Rubber Base for AEF-300
2B	RB301	Rubber Base for AEF-301
2C	RB302	Rubber Base for AEF-302
2D	RB303	Rubber Base for AEF-303
2L	RB305T	Rubber Base for AEF-305T
2F	RB306	Rubber Base for AEF-306
2G	RB307	Rubber Base for AEF-307
3A	SCA300	Sensor Cable Assembly For AEF-300
3B	SCA301	Sensor Cable Assembly For AEF-301
3C	SCA302	Sensor Cable Assembly For AEF-302
3D	SCA303	Sensor Cable Assembly For AEF-303
3E	SCA304	Sensor Cable Assembly For AEF-304
3F	SCA306	Sensor Cable Assembly For AEF-306
3G	SCA307	Sensor Cable Assembly For AEF-307
4A	MH300	Mounting Hardware for AEF-300
4H	MH300T	Mounting Hardware for AEF-300T
4B	MH301	Mounting Hardware for AEF-301
4C	MH302	Mounting Hardware for AEF-302
4J	MH302T	Mounting Hardware for AEF-302T
4D	MH303	Mounting Hardware for AEF-303
4E	MH304	Mounting Hardware for AEF-304
4K	MH304T	Mounting Hardware for AEF-304T
4L	MH305T	Mounting Hardware for AEF-305T
4F	MH306	Mounting Hardware for AEF-306
4G	MH307	Mounting Hardware for AEF-307
5A	WFH300	Water Flex Hose for AEF-300
5B	WFH301	Water Flex Hose for AEF-301
5C	WFH302	Water Flex Hose for AEF-302
5D	WFH303	Water Flex Hose for AEF-303
5E	WFH304	Water Flex Hose for AEF-304
5L	WFH305T	Water Flex Hose for AEF-305T
5F	WFH306	Water Flex Hose for AEF-306
5G	WFH307	Water Flex Hose for AEF-307
6	WR	Installation Wrench

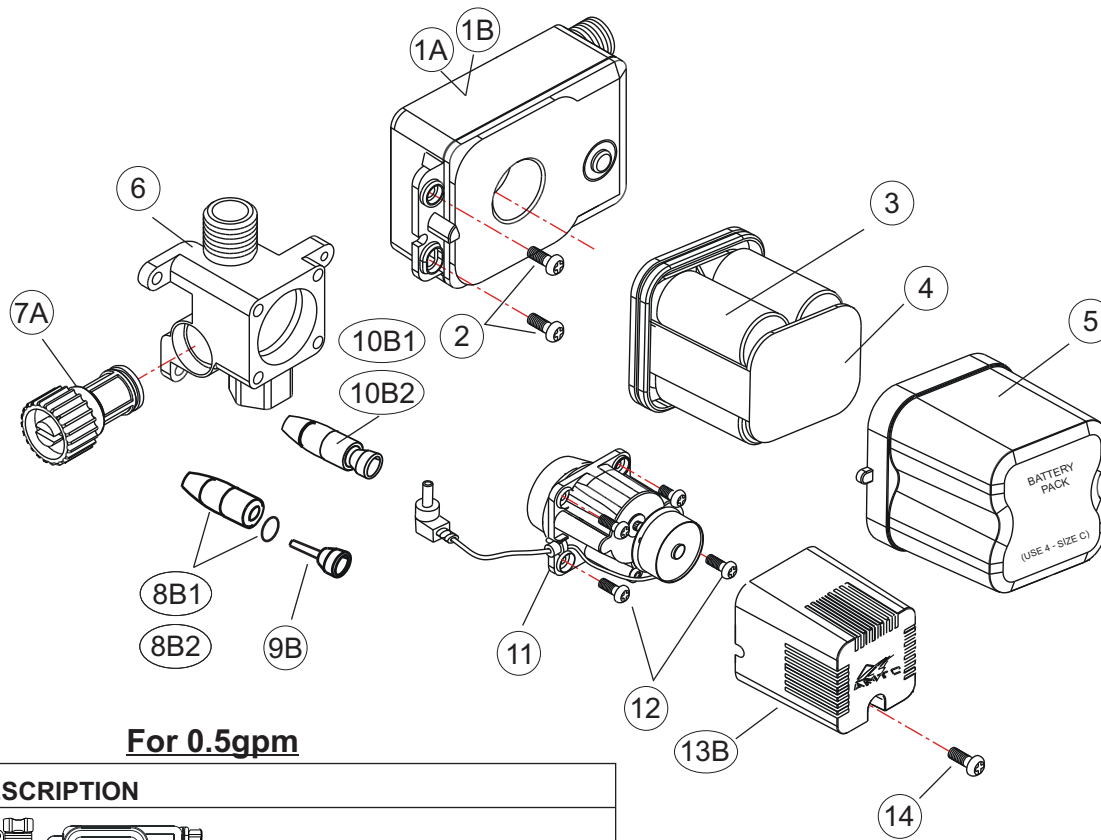
# HYBRIDFLO® Operating System Parts List



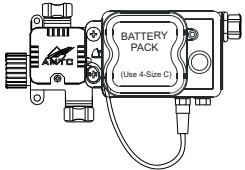
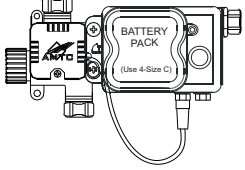

REF#	DESCRIPTION
15A1	 = HYBRIDFLO® Operating System (300 Series)
15A2	 = HYBRIDFLO® Operating System (300T Series)
16A	 = HYBRIDFLO® Maintenance Kit

REF #	PART #	DESCRIPTION
1A	CBA	Control Box Assembly for Models AEF-300, 301, 302, 303, 304, 306 - GREEN Button
1B	CBA-T	Control Box Assembly for Models AEF-300T, 302T, 304T & 305T Only - RED Button
2	SC3XX-2	Control Box Mounting Screws - Set of 2
3	CBAT	C Cell Alkaline Battery (Each)
4	BP	Battery Pack
5	BPC	Battery Pack Cover
6	VB	Valve Body
7A	WF	Water Filter Assembly
8A	BRVHY-P	HYBRIDFLO® Flow Pin
9A	BRVHY-B	HYBRIDFLO® Plunger
10A	BRVHY-PB	HYBRIDFLO® Flow Pin Assembly
11	MDA	Motor Drive Assembly
12	SC3XX-4	Motor Mounting Screws - Set of 4
13A	MCHY	Motor Cover for HYBRIDFLO® (Black Cover)
14	MCS	Motor Cover Screw
15A1	OSRK-HY	Operating System Replacement Kit for HYBRIDFLO® for Models AEF-300, 301, 302, 303, 304, 306 - GREEN Button
15A2	OSRKT-HY	Operating System Replacement Kit for HYBRIDFLO® - For models AEF-300T, 302T, 304T & 305T Only - RED Button
16A	MDA-BRVHY	HYBRIDFLO® Maintenance Kit

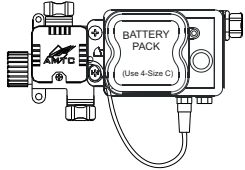
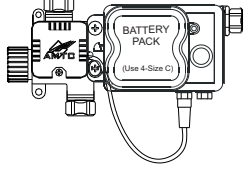

# FIXEDFLO® Operating System Parts List



## For 0.5gpm

REF#	DESCRIPTION
15B1-1	 = FIXEDFLO® Operating System (300 Series)
15B2-1	 = FIXEDFLO® Operating System (300T Series)
16B-1	 = FIXEDFLO® Maintenance Kit

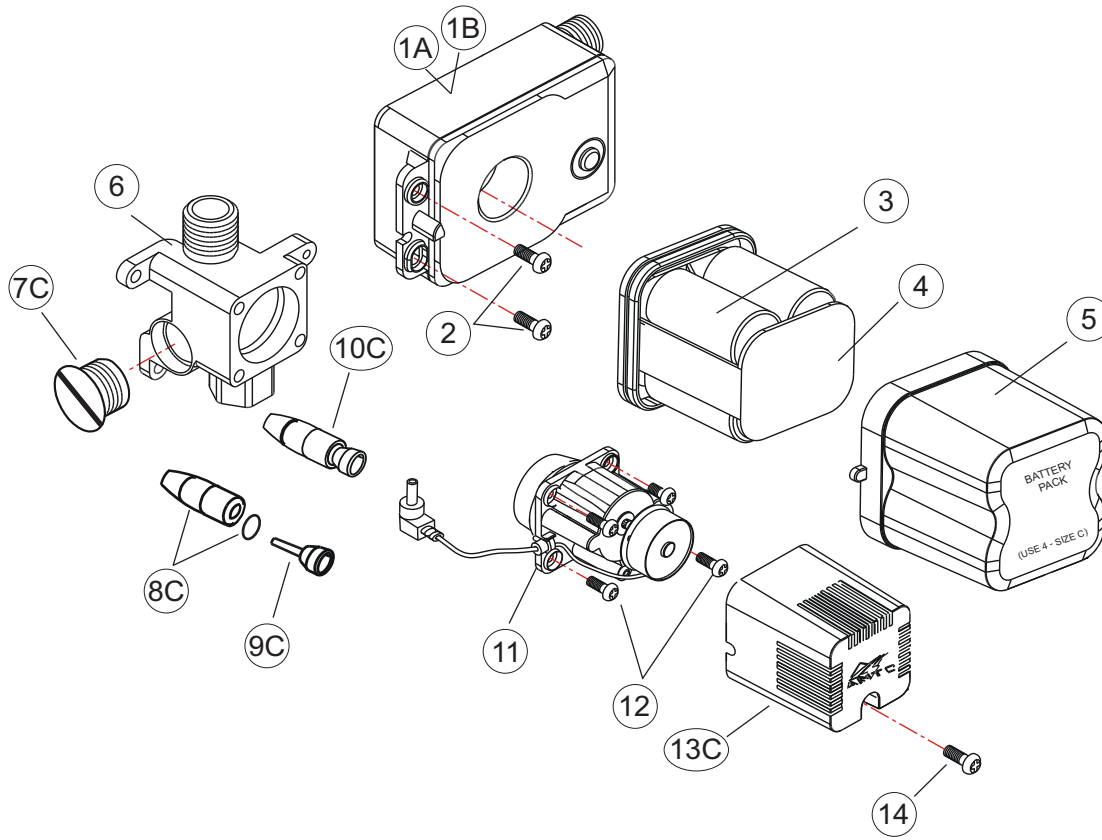
## For 0.35gpm

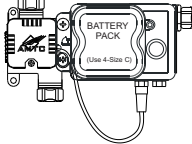
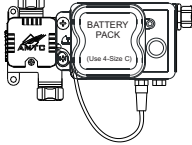


REF#	DESCRIPTION
15B1-2	 = FIXEDFLO® Operating System (300 Series)
15B2-2	 = FIXEDFLO® Operating System (300T Series)
16B-2	 = FIXEDFLO® Maintenance Kit

REF #	PART #	DESCRIPTION
1A	CBA	Control Box Assembly for Models AEF-300, 301, 302, 303, 304, 306 - GREEN Button
1B	CBA-T	Control Box Assembly for Models AEF-300T, 302T, 304T & 305T Only - RED Button
2	SC3XX-2	Control Box Mounting Screws - Set of 2
3	CBAT	C Cell Alkaline Battery (Each)
4	BP	Battery Pack
5	BPC	Battery Pack Cover
6	VB	Valve Body
7A	WF	Water Filter Assembly
8B1	BRVFF-P-05	FIXEDFLO® Flow Pin - 0.5gpm
8B2	BRVFF-P-035	FIXEDFLO® Flow Pin - 0.35gpm
9B	BRVFF-B	FIXEDFLO® Plunger
10B1	BRVFF-PB-05	FIXEDFLO® Flow Pin Assembly - 0.5gpm
10B2	BRVFF-PB-035	FIXEDFLO® Flow Pin Assembly - 0.35gpm
11	MDA	Motor Drive Assembly
12	SC3XX-4	Motor Mounting Screws - Set of 4
13B	MCFF	Motor Cover for FIXEDFLO® (Green Cover)
14	MCS	Motor Cover Screw
15B1-1	OSRK-FF-05	Operating System Replacement Kit for FIXEDFLO® for Models AEF-300, 301, 302, 303, 304, 306 - GREEN Button - 0.5gpm
15B1-2	OSRK-FF-035	Operating System Replacement Kit for FIXEDFLO® for Models AEF-300, 301, 302, 303, 304, 306 - GREEN Button - 0.35gpm
15B2-1	OSRKT-FF-05	Operating System Replacement Kit for FIXEDFLO® - For models AEF-300T, 302T, 304T & 305T Only - RED Button - 0.5gpm
15B2-2	OSRKT-FF-035	Operating System Replacement Kit for FIXEDFLO® - For models AEF-300T, 302T, 304T & 305T Only - RED Button - 0.35gpm
16B-1	MDA-BRVFF-05	FIXEDFLO® Maintenance Kit - 0.5gpm
16B-2	MDA-BRVFF-035	FIXEDFLO® Maintenance Kit - 0.35gpm



# HEALTHFLO® Operating System Parts List



REF#	DESCRIPTION
15C1	 = HEALTHFLO® Operating System (300 Series)
15C2	 = HEALTHFLO® Operating System (300T Series)
16C	 = HEALTHFLO® Maintenance Kit
17C	 = HEALTHFLO® Flow Control (Used Instead of an Aerator in Spout)

REF #	PART #	DESCRIPTION
1A	CBA	Control Box Assembly for Models AEF-300, 301, 302, 303, 304, 306 - GREEN Button
1B	CBA-T	Control Box Assembly for Models AEF-300T, 302T, 304T & 305T Only - RED Button
2	SC3XX-2	Control Box Mounting Screws - Set of 2
3	CBAT	C Cell Alkaline Battery (Each)
4	BP	Battery Pack
5	BPC	Battery Pack Cover
6	VB	Valve Body
7C	OSP	Operating System Plug
8C	BRV/HF-P	HEALTHFLO® Flow Pin
9C	BRV/HF-B	HEALTHFLO® Plunger
10C	BRV/HF-PB	HEALTHFLO® Flow Pin Assembly
11	MDA	Motor Drive Assembly
12	SC3XX-4	Motor Mounting Screws - Set of 4
13C	MCHF	Motor Cover for HEALTHFLO® (Blue Cover)
14	MCS	Motor Cover Screw
15C1	OSRK-HF	Operating System Replacement Kit for HEALTHFLO® for Models AEF-300, 301, 302, 303, 304, 306 - GREEN Button
15C2	OSRKT-HF	Operating System Replacement Kit for HEALTHFLO® - For models AEF-300T, 302T, 304T & 305T Only - RED Button
16C	MDA-BRVHF	HEALTHFLO® Maintenance Kit
17C	HFFC	HEALTHFLO® Flow Control

# Faucet System Accessories (SOLD SEPARATELY)

## **Part: AD01**

### **Description: Plug-in 6 Volt AC Power Adapter**

The plug-in 6-volt AC power adapter is used as an alternate power source with AMTC's sensor faucet systems. The AC adapter easily plugs into the faucet system to provide for many years of dependable operation and eliminates the need to routinely replace batteries. The AC adapter is recommended for high traffic facilities where the faucets get frequent use such as office buildings, airports, convention centers, schools, etc. When the AC power adapter is used in conjunction with the standard battery pack, the batteries become a back up power source that continues to power the faucet system in case of an electrical power failure.



AD01

## **Part: CP4, CP8, CP8-1**

### **Description: Cover Plates (4", 8", 8" Extra-Long)**

The cover plate is used with AMTC's sensor faucet systems. The cover plates are used in standard 4" or 8" center set applications.



CP4

CP8

CP8-1

## **Part: HG01**

### **Description: Hydro-Powered Electric Generator**

The Hydro-Powered Electric Generator is a device that is used as an alternate power source with AMTC's sensor faucet systems. The device easily adapts to the faucet system to provide for many years of dependable operation and eliminates the need to routinely replace batteries or use electrical power. The hydro-powered electric generator is recommended for high traffic facilities where the faucets get frequent use such as office buildings, restaurants, hospitals, schools, airports, convention centers, etc.



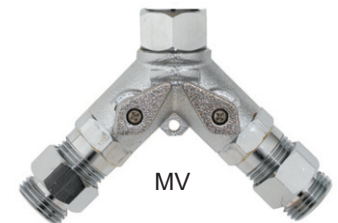
HG01

## **Part: MV**

### **Description: Mechanical Mixing Valve**

The MV is used as a water mixing device with AMTC's sensor faucet systems. Mechanical Mixing valves (MV) are used in applications where hot and cold water mixing is needed. The MV provides water at a safe and usable temperature in situations where the control of the temperature of the water discharging from a terminal fitting is of the utmost importance, i.e. within airports, convention centers, schools, nursing homes, etc.

The valve is designed to mix the flow of water discharging from the water outlets. The Mechanical Mixing Valve (MV) is complete with check valves at both hot and cold inlets and is made of low lead brass.



MV

## **Part: TMV**

### **Description: Thermostatic Mixing Valve**

The TMV is used as a water mixing device with AMTC's sensor faucet systems. Thermostatic mixing valves (TMV) are used in applications where hot and cold water mixing is needed and where the user must be protected from the danger of scalding caused by hot water or where required by law. The TMV provides water at a safe and usable temperature in situations where the control of the temperature of the water discharging from a terminal fitting is of the utmost importance, i.e. within restaurants, hospitals, schools, airports, convention centers, nursing homes, etc.

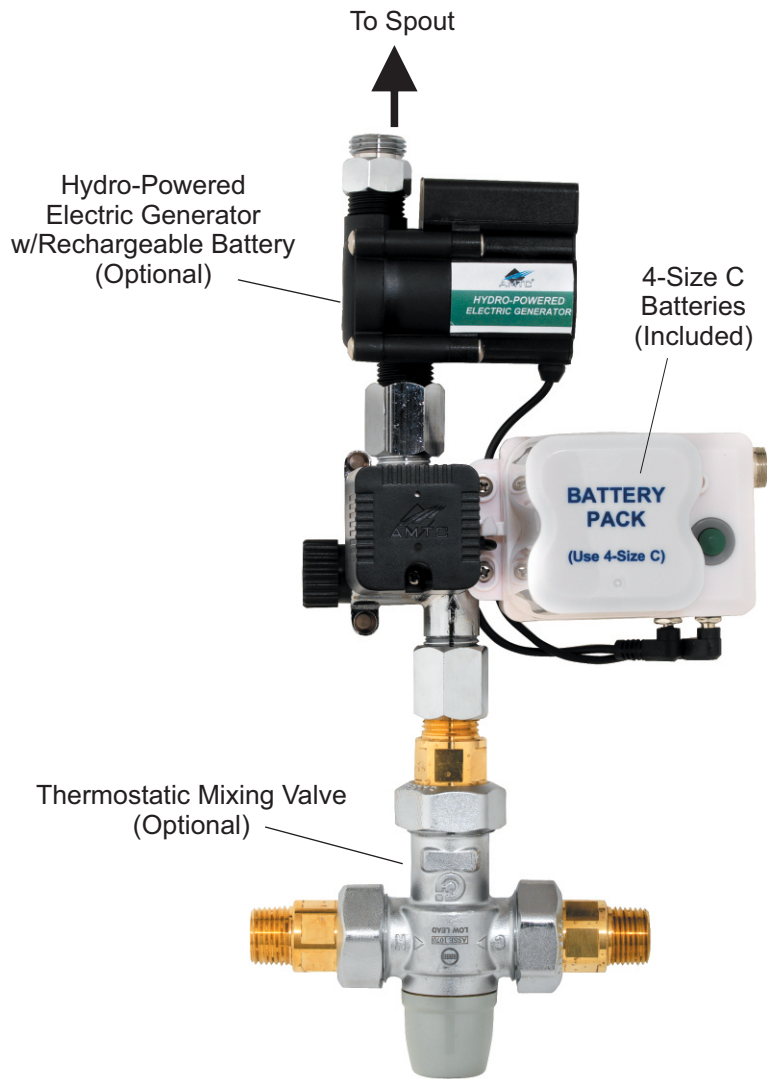
The valve is designed to mix the flow of water discharging from the water outlets. The Thermostatic Mixing Valve (TMV) is complete with check valves at both hot and cold inlets and is made of low lead brass.



TMV

# Optional Accessories Setup

\*Faucet system pictured with optional thermostatic mixing valve and hydro-generator installed



Optional water mixing and power options available:



**Part: MV**  
Mechanical  
Mixing Valve



**Part: TMV**  
Thermostatic  
Mixing Valve



**Part: AD01**  
6 VAC Power Adapter



**Part: AD01-3**  
6 VAC Power Adapter  
w/Daisy Chain Extension



**Part: HG01**  
Hydro-Powered  
Electric Generator

# Warranty

AMTC WARRANTS ITS PRODUCTS TO BE FREE OF DEFECTS IN MATERIAL AND WORKMANSHIP FOR A PERIOD OF FIVE (5) YEARS FROM DATE OF PURCHASE, WHEN PROPERLY INSTALLED AND UNDER NORMAL USE AND SERVICE. THESE PROVISIONS DO NOT INCLUDE THE BATTERIES SHIPPED WITH THE PRODUCTS. A DEFECTIVE PRODUCT MAY BE RETURNED TO AMTC OR ITS AUTHORIZED REPRESENTATIVES WITHIN FIVE (5) YEARS FROM DATE OF PURCHASE WITH THE PROPER INVOICE OF PURCHASE. AMTC, AT ITS DISCRETION, WILL REPLACE OR REPAIR DEFECTIVE PRODUCT AT NO CHARGE. CLAIMS FOR LABOR, TRANSPORTATION, AND ANY OTHER INCIDENTAL COSTS WILL NOT BE ALLOWED. AMTC WILL NOT BE RESPONSIBLE FOR ANY CONSIDERABLE DAMAGES OF ANY KIND WHATSOEVER.

FOR TECHNICAL SUPPORT PLEASE CALL TOLL FREE 1-800-874-7822 OR VISIT OUR WEBSITE AT [WWW.AMTCORPORATION.COM](http://WWW.AMTCORPORATION.COM)

MAKE SURE TO VISIT OUR WEBSITE PERIODICALLY FOR INFORMATION ON NEW PRODUCTS AND TO DOWNLOAD ANY IMPORTANT PRODUCT DOCUMENTS THAT YOU MAY NEED IN THE FUTURE.



## **Advanced Modern Technologies Corporation**

19800 Nordhoff Place, Chatsworth, CA 91311  
Tel: (818) 883-2682 Toll Free: (800) 874-7822 Fax: (818) 883-2620  
[www.amtcorporation.com](http://www.amtcorporation.com)