

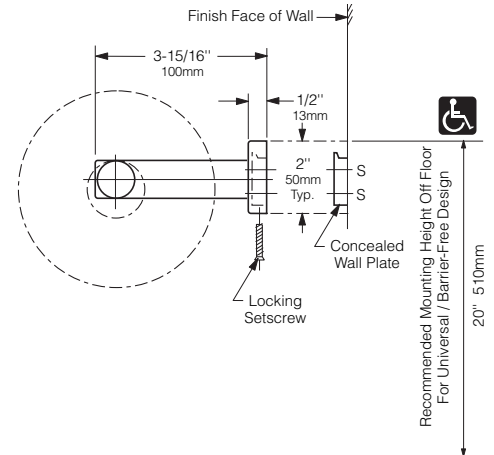
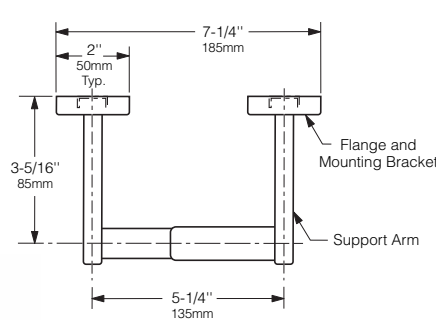


Technical Data

SINGLE-ROLL TOILET TISSUE DISPENSER

B-685 B-6857

Specify Finish Required: Model B-685 Bright polished finish
 Model B-6857 Satin finish



MATERIAL:

Flanges and Support Arms (2) — 18-8 S, type-304, 22-gauge (0.8mm) stainless steel. Concealed, 16-gauge (1.6mm) stainless steel mounting bracket is welded inside each flange. Secured to wall plates with stainless steel setscrews.

Concealed Wall Plates (2) — 18-8 S, type-304, 16-gauge (1.6mm) stainless steel.

Spindle — Chrome-plated plastic. Equipped with heavy-duty internal spring.

Designer's Note: Theft-resistant spindle, which is removable only with special key provided, is available as an optional accessory. To specify, add suffix .60 to model number. Example B-685.60.

INSTALLATION:

To remove concealed wall plates from back of flanges and mounting brackets, loosen setscrews. Mount each wall plate with prongs at top; secure with sheet-metal screws, furnished by manufacturer, at points indicated by an S. Engage mounting brackets onto prongs of wall plate, then secure into position by tightening setscrews at bottom of flanges.

Note: Center-to-center of concealed wall plates must be within 1/16" (1.6mm) of dimension shown.

For partitions with particle-board or other solid core, secure with sheet-metal screws furnished, or provide through-bolts, nuts, and washers.

For hollow-core metal partitions, provide solid backing into which the furnished sheet-metal screws can be secured.

For plaster or dry wall construction, provide concealed backing to comply with local building codes, then secure unit with sheet-metal screws furnished.

For other wall surfaces, provide fiber plugs or expansion shields for use with sheet-metal screws furnished, or provide 1/8" (3mm) toggle bolts or expansion bolts.

SPECIFICATION:

Single-roll toilet tissue dispenser shall be type-304 stainless steel with _____ (insert one: bright polished or satin) finish. Unit shall accommodate one standard-core toilet paper roll up to 5-1/2" (140mm) diameter (1800 sheets). Flanges and support arms shall be 22-gauge (0.8mm) and equipped with concealed, 16-gauge (1.6mm) mounting brackets that are secured to concealed, 16-gauge (1.6mm) wall plates with stainless steel setscrews. *Spindle shall be chrome-plated plastic with a heavy-duty internal spring. Manufacturer's service and parts manual shall be provided to the building owner/manager upon completion of project.

**To specify theft-resistant spindle as an optional accessory, add to specification:* Theft-resistant spindle shall be removable only with special key provided.

Single-Roll Toilet Tissue Dispenser shall be Model _____ (insert model number) of Bobrick Washroom Equipment, Inc., Clifton Park, New York; Jackson, Tennessee; Los Angeles, California; Bobrick Washroom Equipment Company, Scarborough, Ontario; Bobrick Washroom Equipment Pty. Ltd., Australia; Bobrick Washroom Equipment Limited, United Kingdom.