

APPLICATION:

PRODUCT NAME:
4" C/C DECK FAUCET

JOB NAME:

_____ SPECIAL CONFIGURATION
(CHECK BASE MODEL AND OPTIONS)

QUANTITY:

ITEM NO.:

MODEL:

- 3515 W/ 12" SWIVEL GOOSENECK SPOUT
- 3525 W/ 6" SWIVEL GOOSENECK SPOUT

OPTIONS OR MODIFICATIONS:

- SUPPLY LINES (24" OR 36") CIRCLE LENGTH
- VANDAL RESISTANT KIT
- HANDLES (CROSS OR WRIST) CIRCLE STYLE
- OTHER _____

FEATURES:

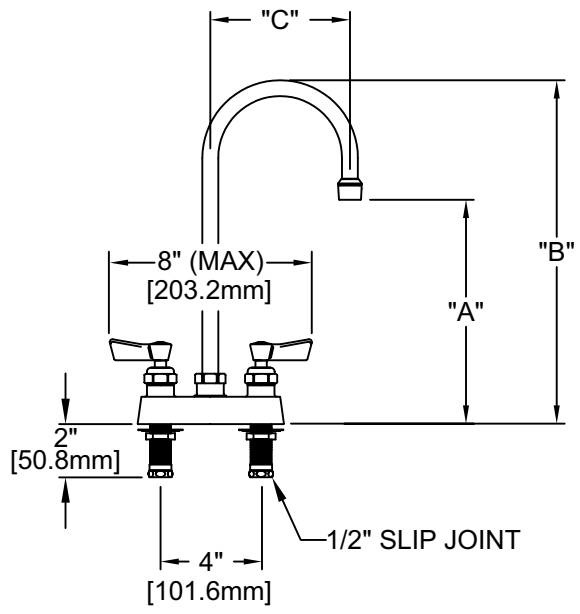
- * 4" C/C DECK MOUNT
- * SWIVELING SEAT DISKS
- * HOT SIDE STEM - RIGHT HAND
- * COLD SIDE STEM - LEFT HAND
- * STAINLESS STEEL SEATS
- * STAINLESS STEEL SEAT SCREWS
- * STAINLESS STEEL HANDLE SCREWS
- * 1/2" SLIP JOINT KIT

SYSTEM LIMITS

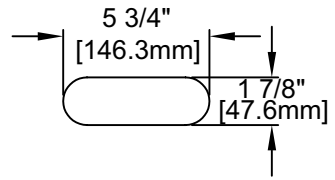
- * TEMP: 40°F MIN. TO 140°F MAX.
- * PRESSURE 200 PSI MAX. STATIC
- * 2.20 GPM AT 80 PSI

SHIPPING WEIGHT

- * 4.75 LBS



FOOTPRINT:



MODEL	DIM "A"	DIM "B"	DIM "C"
3515	8-1/2" [215.9mm]	12-1/2" [317.5mm]	5-1/2" [139.7mm]
3525	4-3/4" [120.7mm]	8-3/8" [212.7mm]	3-1/2" [88.90mm]

ROUGH-IN:

