

APPLICATION:

PRODUCT NAME:

8" C/C DECK MOUNT 3/4" FAUCET

JOB NAME:

_____ SPECIAL CONFIGURATION
(CHECK BASE MODEL AND OPTIONS)

QUANTITY:

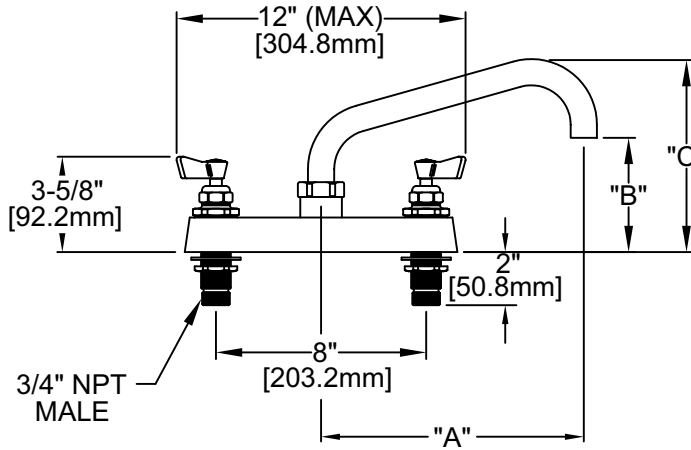
ITEM NO.:

MODEL:

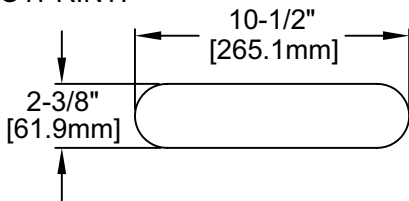
- 5312 W/10" SWING SPOUT
- 5314 W/14" SWING SPOUT

OPTIONS OR MODIFICATIONS:

- VANDAL RESISTANT KIT
- HANDLES (CROSS OR WRIST) CIRCLE STYLE
- OTHER _____

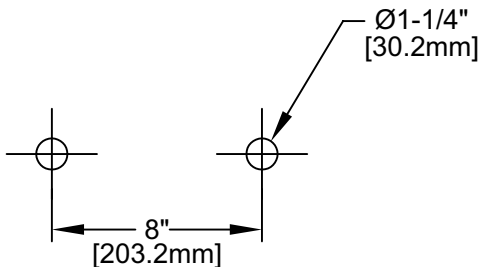


FOOTPRINT:



MODEL	DIM "A"	DIM "B"	DIM "C"
5312	10" [254.0mm]	4-1/4" [108.0mm]	7-3/8" [187.3mm]
5314	14" [355.6mm]	5-1/2" [140.0mm]	8-1/2" [215.2mm]

ROUGH-IN:



FEATURES:

- * 8" C/C BACKSPLASH FAUCET
- * SWIVELING SEAT DISKS
- * HOT SIDE STEM - RIGHT HAND
- * COLD SIDE STEM - LEFT HAND
- * STAINLESS STEEL SEATS
- * STAINLESS STEEL SEAT SCREWS
- * STAINLESS STEEL HANDLE SCREWS

SYSTEM LIMITS

- * TEMP: 40°F MIN. TO 140°F MAX.
- * PRESSURE 200 PSI MAX. STATIC
- * 37 GPM AT 80 PSI

SHIPPING WEIGHT

- * 8.25 LBS



ANSI/A112.18.1M, ANSI/NSF 61.9



FISHER MANUFACTURING COMPANY
TOLL FREE: 800-421-6162 - FAX: 800-832-8238
information@fisher-mfg.com - www.fisher-mfg.com