

APPLICATION:

JOB NAME:

QUANTITY: ITEM NO.

PRODUCT NAME:

8" C/C BACKSPLASH FAUCET

SPECIAL CONFIGURATION
CHECK BASE MODEL AND OPTIONS

MODEL:

5412 WITH 10" SWING SPOUT

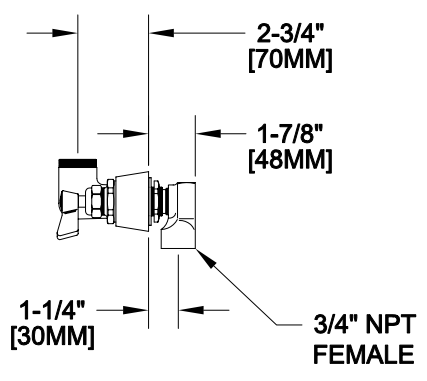
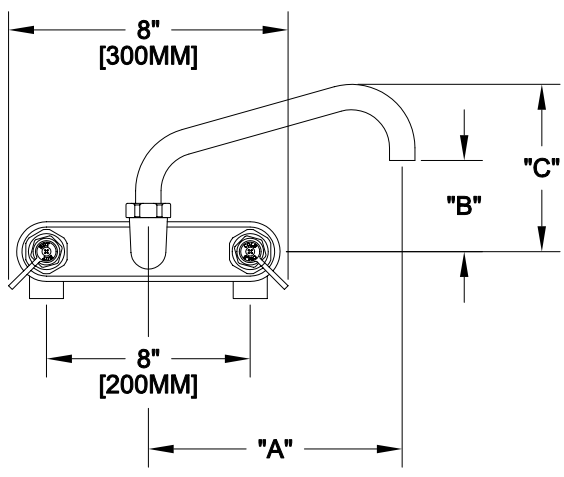
5414 WITH 14" SWING SPOUT

OPTIONS OR MODIFICATIONS:

HANDLES (CROSS OR WRIST) CIRCLE STYLE

VANDAL RESISTANT KIT

OTHER _____



FEATURES

- * 8" BACKSPLASH
- * SWIVELLING SEAT DISKS
- * HOT SIDE STEM - LEFT HAND
- * COLD SIDE STEM - RIGHT HAND
- * STAINLESS STEEL SEATS
- * STAINLESS STEEL SEAT SCREWS
- * STAINLESS STEEL HANDLE SCREWS
- * CLOSE ELBOWS

RECOMMENDED SETTINGS

- * 110°F AT 80 PSI

SYSTEM LIMITS

- * TEMP: 40°F MIN. TO 140°F MAX.
- * PRESSURE: 200 PSI MAX. STATIC
- * 37 GPM AT 80 PSI

SHIPPING WEIGHT

- * 9.0 LBS

MODEL	DIM "A"	DIM "B"	DIM "C"
5412	10" [250MM]	3-5/8" [92MM]	6-5/8" [168MM]
5414	14" [350MM]	4-3/4" [120MM]	7-3/4" [197MM]

ROUGH-IN:

