

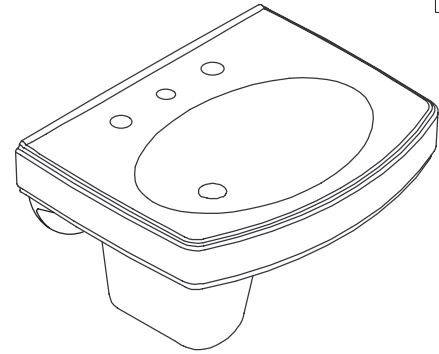
WALL-MOUNT LAVATORY

K-2035

ADA

FEATURES

- 22" (55.9cm) x 18" (45.7cm) x 34" (86.4cm)
- Vitreous China
- Wall-Mount
- 8" (20.3cm) centers (-8), 4" (10.2) centers (-4), or single-hole (-1)
- With overflow
- ADA compliant



CODES/STANDARDS APPLICABLE

Specified model meets or exceeds the following:

- ASME/ANSI A112.19.2M
- ADA
- IAPMO/UPC
- Canadian Standards Association (CSA)

COLORS/FINISHES

- 0 White
- Other Refer to Fixtures Price Book for additional colors

Accessories:

- CP Polished Chrome
- Other Refer to Faucets Price Book for additional finishes

SPECIFIED MODEL:

Model	Description	Colors/Finishes	
K-2035-8	8" (20.3cm) centers lavatory	<input type="checkbox"/> 0 White	<input type="checkbox"/> Other _____
K-2035-4	4" (10.2cm) centers lavatory	<input type="checkbox"/> 0 White	<input type="checkbox"/> Other _____
K-2035-1	Single-hole lavatory	<input type="checkbox"/> 0 White	<input type="checkbox"/> Other _____

Recommended Accessories			
K-7605-P	Supplies 3/8" (pair)	<input type="checkbox"/> CP	<input type="checkbox"/> Other _____
K-8998	Trap	<input type="checkbox"/> CP	<input type="checkbox"/> Other _____

PRODUCT SPECIFICATION:

The wall-mount lavatory shall be 22" (55.9cm) in length, 18" (45.7cm) in width, and 34" (86.4cm) in height. Lavatory shall be made of vitreous china. Lavatory shall have 8" (20.3cm) centers (-8), 4" (10.2cm) centers (-4), or single-hole (-1) drilling. Lavatory shall have overflow. Lavatory shall be ADA compliant. Lavatory shall be Kohler Model K-2035-_____-_____-_____.

PRODUCT INFORMATION

Fixture*:		basin area	water depth
Lavatory		18" (45.7cm) x 12" (30.5cm)	4" (10.2cm)
Drain hole	1-3/4" D. (4.4cm)		

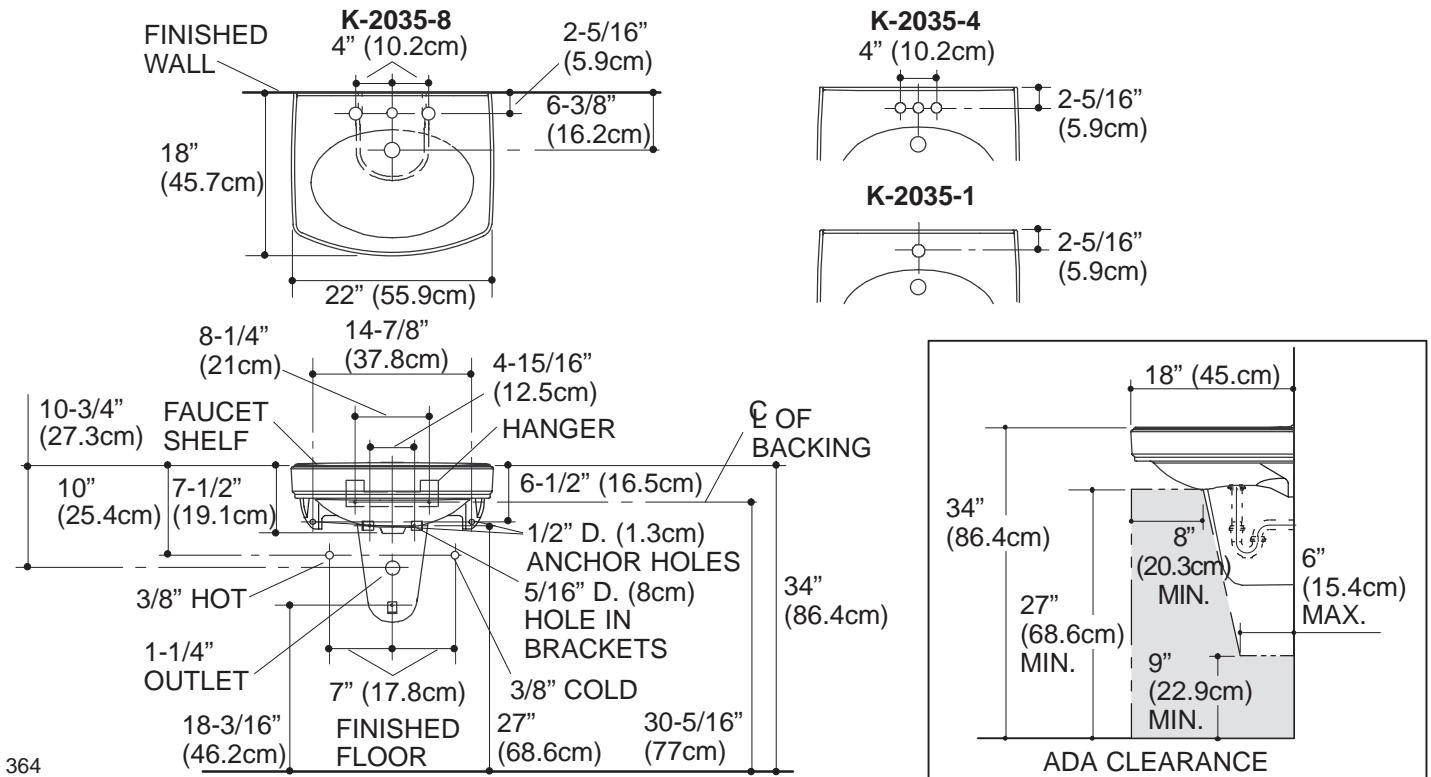
Holes	K-2035-8	K-2035-4	K-2035-1
Spout	1-3/8" D. (3.5cm)	1-1/4" D. (3.2cm)	1-3/8" D. (3.5cm)
Faucet	1-3/8" D. (3.5cm)	1-1/4" D. (3.2cm)	

PRODUCT INFORMATION

Included Components:	
Lavatory basin, 8" (20.3cm) centers	K-2028-8
Lavatory basin, 4" (10.2cm) centers	K-2028-4
Lavatory basin, single-hole	K-2028-1
Shroud	K-2057
Rubber pads	63069
Hanger	64839
Shroud accessory pack	80265

INSTALLATION NOTES

Install this product according to the installation guide.



PRODUCT DIAGRAM