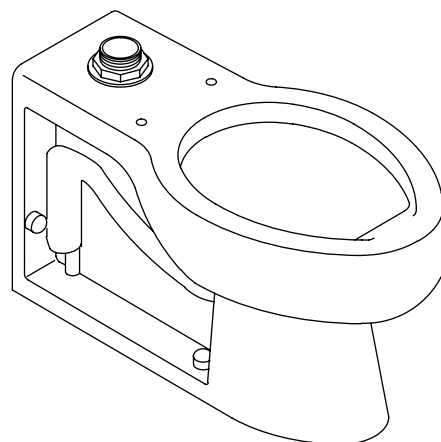


Features

- Vitreous china
- Elongated bowl
- Angle back and wall outlet
- 1-1/2" top spud
- 2-3/8" (6 cm) passageway
- 11" (27.9 cm) x 9-1/2" (24.1 cm) water area
- 4-1/2" (11.4 cm) rough-in
- 1.6 gpf (6 lpf)
- 27-1/2" (69.9 cm) x 14-1/2" (36.8 cm) x 15" (38.1 cm)



Codes/Standards Applicable

Specified model meets or exceeds the following:

- ASME A112.19.2
- IAPMO/UPC
- Energy Policy Act of 1992 (EPACT)

Colors/Finishes

- 0: White
- Other: Refer to Price Book for additional colors/finishes

Accessories:

- 0: White
- Other: Refer to Price Book for additional colors/finishes

Specified Model

Model	Description	Colors/Finishes	
K-4386	Elongated bowl toilet	<input type="checkbox"/> 0	<input type="checkbox"/> Other_____
Recommended Accessories			
K-4670-C	Lustra™ open front seat	<input type="checkbox"/> 0	<input type="checkbox"/> Other_____
K-4670-CA	Lustra open front seat with anti-microbial agent	<input type="checkbox"/> 0	
21401	Floor bolts (pair)		

Product Specification

The elongated bowl shall be 4-1/2" (11.4 cm) rough-in with a 1-1/2" top spud. Bowl shall be made of vitreous china. Bowl shall be 1.6 gpf (6 lpf). Bowl shall have a 2-3/8" (6 cm) passageway. Bowl shall have 11" (27.9 cm) by 9-1/2" (24.1 cm) water area. Bowl shall have angle back and wall outlet. Bowl shall be 27-1/2" (69.9 cm) in length, 14-1/2" (36.8 cm) in width, and 15" (38.1 cm) in height. Bowl shall be Kohler Model K-4386-_____.

ANGLESEY™

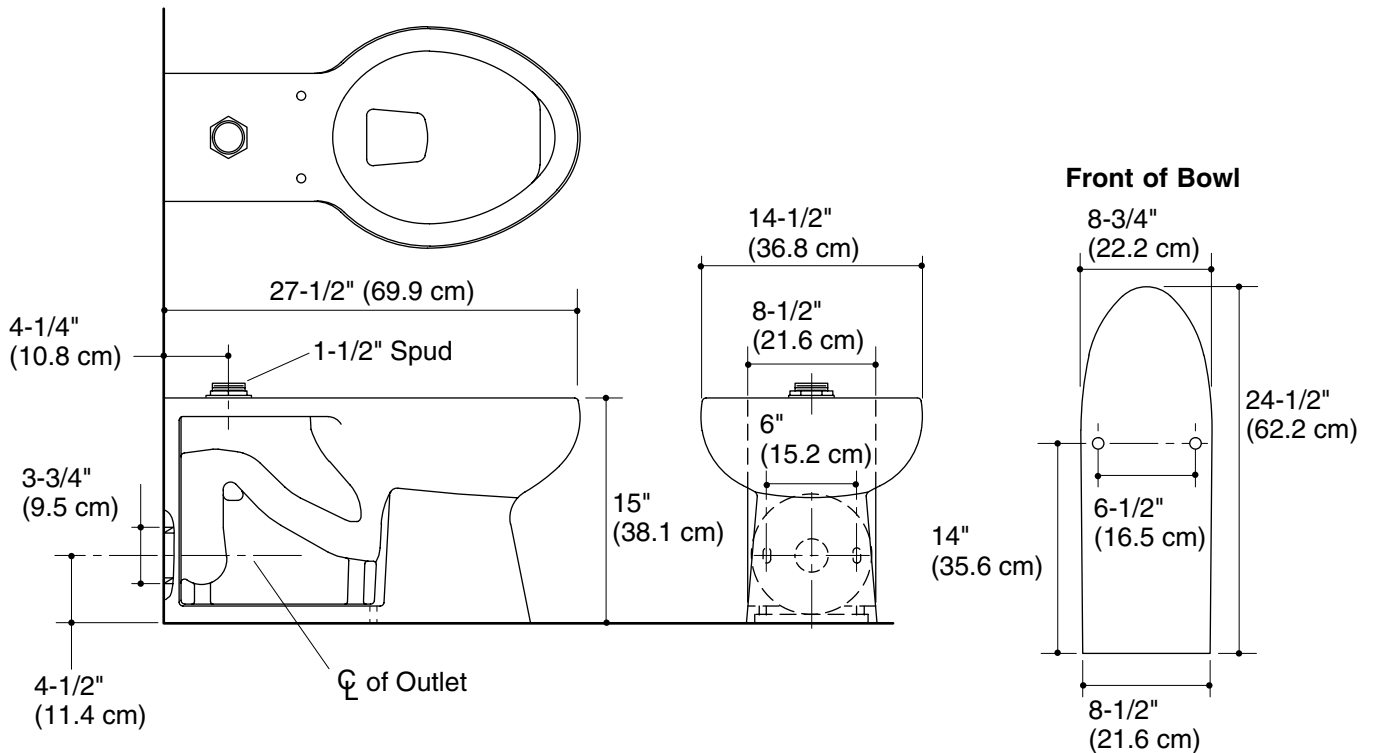
Technical Information

Fixture:	
Configuration	Top spud, elongated
Water per flush	1.6 gal (6 L)*
Spud size	1-1/2"
Passageway	2-3/8" (6 cm)
Water area	11" (27.9 cm) x 9-1/2" (24.1 cm)
Water depth from rim	5-1/4" (13.3 cm)
Seat post hole centers	5-1/2" (14 cm)
* Designed to flush with 1.6 gal (6 L) of water when installed with a 1.6 gpf (6 lpf) valve.	

Included components:	
Spud	18357
Bolt caps (pair)	52048
Floor screws (pair)	21402

Installation Notes

Install this product according to the installation guide. Refer to manufacturer and local codes for flush valve requirements.



Product Diagram