

EAF-250

► Description

Battery Powered, Sensor Activated, Electronic Hand Washing Faucet for pre-tempered or hot and cold water operation.

Battery Powered Models

- | | |
|---|--|
| <input type="checkbox"/> EAF-250 | Single Supply Faucet
(For pre-mixed water only) |
| <input type="checkbox"/> EAF-250-ISM | With Integral Spout Temperature Mixer
(For Hot and Cold water supply connection) |
| <input type="checkbox"/> EAF-250-ISM-IC | With Integral Spout Temperature Mixer
and <i>i.q.-Click</i> Feature |
| <input type="checkbox"/> EAF-250-ISM-DPU-IC | With Integral Spout Temperature Mixer,
Drain Pop Up and <i>i.q.-Click</i> Feature |

► Flow Rate

- 0.5 gpm/1.9 Lpm Aerator Spray Head

► Specifications

Sensor Activated, Electronic, Chrome Plated Die-Cast Metal, Hand Washing Faucet with the following features:

- Modular One-piece Construction with all Concealed Components above deck
- Double Infrared Sensors with Automatic Setting Feature and Microprocessor
- Low Battery Indicator
- Magnetic Solenoid Valve
- Water Supply Connection with Flexible High-pressure Hose and Strainer
- 6 volt Lithium CR-P2 Commercial Battery included
- Appropriate Mounting Hardware included

► Variations

- | | |
|------------------------------|---------------------------|
| <input type="checkbox"/> ISM | Integral Spout Mixer |
| <input type="checkbox"/> IC | <i>i.q.-Click</i> feature |
| <input type="checkbox"/> DPU | Drain Pop Up |

► Accessories

- **Trim Plates**
 - ETF-312-A** Trim Plate for 4" (102 mm) Centerset Sink
 - ETF-510-A** Trim Plate for 8" (204 mm) Centerset Sink

Trim Plates must be specified and ordered separately
- **Aerators**
 - EAF-10** 2.2 gpm/8.3 Lpm Aerator Spray Head
 - EAF-13** 2.2 gpm/8.3 Lpm Laminar Flow Spray Head
- **Faucet Extension Kits**
 - EAF-35-A** Faucet Extension Kit
 - EAF-30-A** Faucet Extension Kit (International Version – has 1/2G inlet connections)

► Warranty

3 year (limited)

► Compliant to:

ASME A112.18.1-2005/CSA B125.1-05, ISO/IEC 17025



EAF-250

EAF-250-ISM

The new Optima i.q. faucet — *Bringing intelligence to water*

Sloan's new Optima *i.q.* EAF-250 Series electronic hand washing faucets operate by means of a dual infrared sensor and microprocessor based logic. The modular design incorporates all of the operating components of the faucet, including the sensor, solenoid, circuitry and battery above the sink within a die-cast metal spout.

ISM models feature an integral temperature control lever which allows the user to adjust the water temperature. This adjustment can also be converted to a fixed setting. EAF faucets ordered without the ISM variation must be connected to a single, pre-tempered water supply.

The *i.q.-Click* feature allows the user to place the faucet into optional function modes, including "continuous run" and "temporary off" simply by pressing a button on the spout. The use of the *i.q.-Click* feature is recommended only in installations where users have a regular familiarity with the faucet (i.e., executive and non-public rest rooms). Models furnished with the *i.q.-Click* feature are also available with a Drain Pop Up.

Optima *i.q.* EAF-250 series faucets include a 6 VDC lithium battery. Battery life is approximately three (3) years.



This product may contribute to LEED credits. See details on LEED calculation worksheet.

This space for Architect/Engineer approval

Job Name _____	Date _____
Model Specified _____	Quantity _____
Variations Specified _____	
Customer/Wholesaler _____	
Contractor _____	
Architect _____	

EAF-250

Description

Battery Powered, Sensor Activated, Electronic Hand Washing Faucet for pre-tempered or hot and cold water operation.

Flow Rate

□ 0.5 gpm/1.9 Lpm Aerator Spray Head

ELECTRICAL SPECIFICATIONS

Control Circuit

6 VDC — Includes Auto Set Range Adjustment and Low Battery Indicator LED

Sensor Range

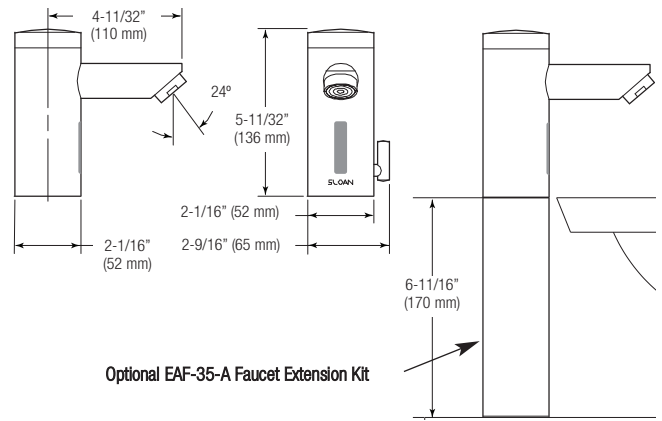
Nominal:
4"-5" (102 mm - 127 mm)
Faucet Adaptive Self-adjustment Range:
2"-14" (51 mm - 356 mm) nominal

Power Supply

6 VDC Lithium CR-P2 battery
Approximate 3 year life

Time Out Setting

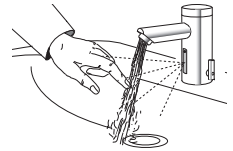
2 minutes — Maximum time faucet will run upon continuous detection (except for *i.q.-Click* models that are otherwise set in continuous run).



Optional EAF-35-A Faucet Extension Kit

OPERATION

As the user's hands enter the beam's effective range, the beam is reflected back into the sensor receiver and activates the solenoid valve allowing water to flow from the faucet. Water will flow until the hands are removed or until the faucet reaches its automatic time out limit setting.



i.q.-Click FEATURE

The *i.q.-Click* is a button that extends from the underside of the faucet spout that allows the user to place the faucet into the following function modes: Continuous Run, Temporary Off, and Auto Set Range Adjustment.

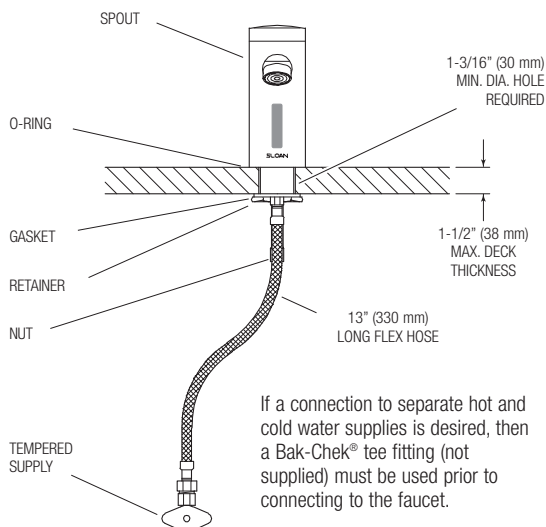
Because the use of the *i.q.-Click* feature requires familiarity with the faucet, this feature is not recommended for faucets intended for use by the general public. The *i.q.-Click* is ideal for use in hospital rooms, executive rest rooms and other locations where the primary user has regular contact with the product.

i.q.-Click SETTINGS

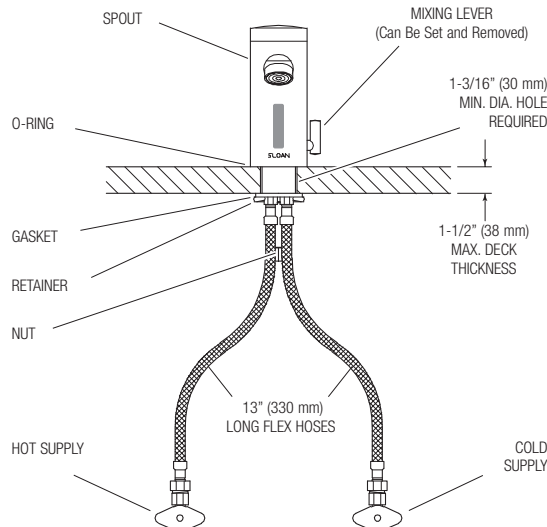
Function	Press Button	LED Signal
Continuous Run — 2 minute default setting (adjustable from 1 - 20 minutes)	1 time for 2 seconds	5 short flashes
reset:	1 time or will reset automatically after 2 minutes	
Temporary Off	2 times (double click)	5 short flashes followed by periodic flashing
reset:	1 time or will reset automatically after 2 minutes	
Auto Set Range Adjustment	2 times (double click) and then 1 time for 5 seconds	5 short flashes followed by 4 short flashes

ROUGH-IN

EAF-250
Faucets with Single Line Water Supply



EAF-250-ISM, EAF-250-ISM-IC AND
EAF-250-ISM-DPU-IC
Faucets with Hot and Cold Water Supply



When the EAF faucet is installed on a sink that has three (3) hole punchings, a Trim Plate should be used. **Trim Plates must be specified and ordered separately:**

ETF-312-A
Trim Plate for 4" (102 mm)
Centerset Sink

ETF-510-A
Trim Plate for 8" (204 mm)
Centerset Sink

SLOAN VALVE COMPANY • 10500 SEYMOUR AVENUE • FRANKLIN PARK, IL 60131

Phone: 1-800-982-5839 or 1-847-671-4300 • Fax: 1-800-447-8329 or 1-847-671-4380 • www.sloanvalve.com