

SYMMETRIX® Two Handle Lavatory Faucet

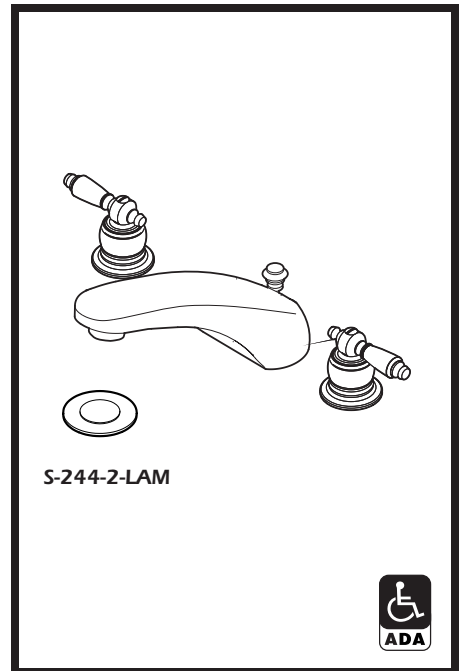
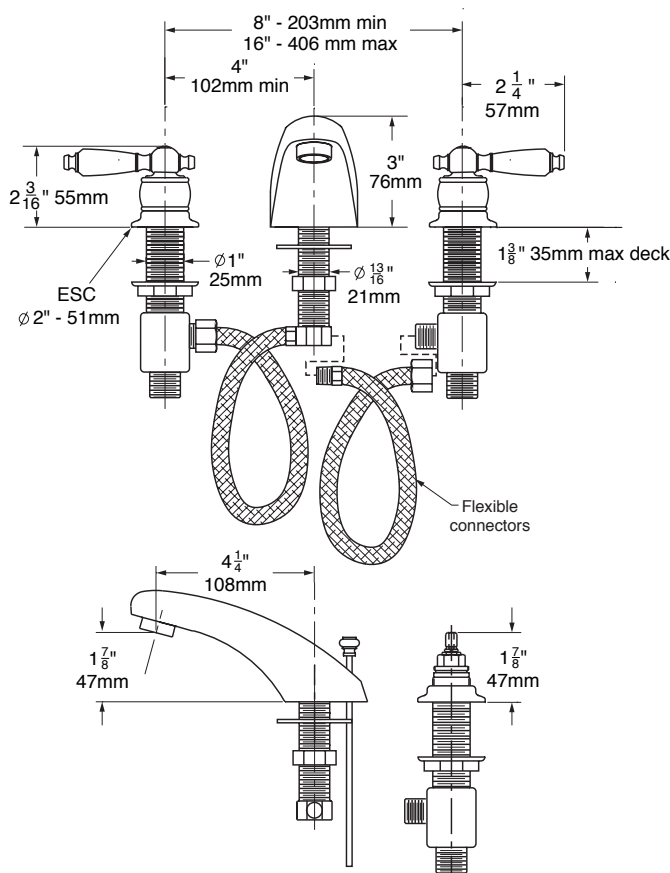
- S-244-2-G-LAM: With grid strainer drain assembly
- S-244-2-LAM: With lift rod and pop-up drain assembly
- S-244-1-LAM: With lift rod only
- S-244-LAM: Faucet only

Symmetrix Two Handle Widespread Lavatory Faucet with quarter turn ceramic control components and metal finish insert lever handles with red/blue indicators. Aerator, 1/2" IPS shanks, 8" to 16" centers, metal construction, polished chrome finish.

Modifications:

Add:

- Suffix LPO: White insert lever handles
- Suffix LCF: Clear faceted insert lever handles
- Suffix FR: 0.5 gpm flow restrictor spray outlet (vandal resistant)
- Suffix VP: Vandal resistant aerator
- Suffix OFG: Offset grid strainer
- Suffix BRS: Radiance® polished brass finish
- Suffix AWT: White finish
- Suffix PCB: Polished chrome and Radiance® polished brass finish
- Suffix STN: Satin finish



**SYMMONS PRODUCTS MEET
ANSI A112.18.1M, EPA '92
AND ALL KNOWN FLOW RATE
REQUIREMENTS.
Kitchen and Lavatory Faucets
2.2 GPM (8.3 L/min)**

Job/Location

.....
.....

Engineer

.....
.....

Contractor

.....
.....

For ADA compliance (Americans with Disabilities Act) consult ADAAG or your state regulations for proper product choice and mounting locations.

SYMMONS INDUSTRIES, INC.
31 Brooks Drive, Braintree, MA 02184-3804
TEL: 1-800-SYMMONS, (781) 848-2250 FAX: 1-800-961-9621, (781) 843-3849
Website: www.symmons.com

