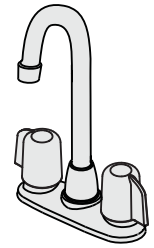


Location:

## Two handle Bar Sink Faucet, S-245 Series

### Specification Submittal

S-245 with standard handle



#### Feature Highlights

- Bar sink faucet, blade handles with red/blue indicators for hot & cold and aerator.
- Quarter turn ceramic control components
- Standard spout size 3-1/2" x 9-1/8", configure as swivel or rigid

- 1/2 inch IPS shanks, 4 inch centers, metal construction
- Aerator with 2.2 gpm (8.3 L/Min) standard flow rate
- Polished chrome finish

#### Standards / Certifications

ASME A112.18.1-2005/CSA B125.1-05

#### Warranty

- Limited Lifetime - to the original end purchaser in consumer installations.
- 5 years - for commercial installations

#### S-245 series handle options

S-245-LAM	S-245-LCF	S-245-LPO	S-245-LCT	S-245-LWG
				

#### Model Numbers

Append appropriate -suffix to model number.

- S-245 Faucet only with standard spout, standard handles and chrome finish

#### Alternate Finish Options

Append appropriate -suffix to model number.

- STN Satin finish
- Polished chrome finish (standard)

#### Handle Modifications

Append appropriate -suffix to model number.

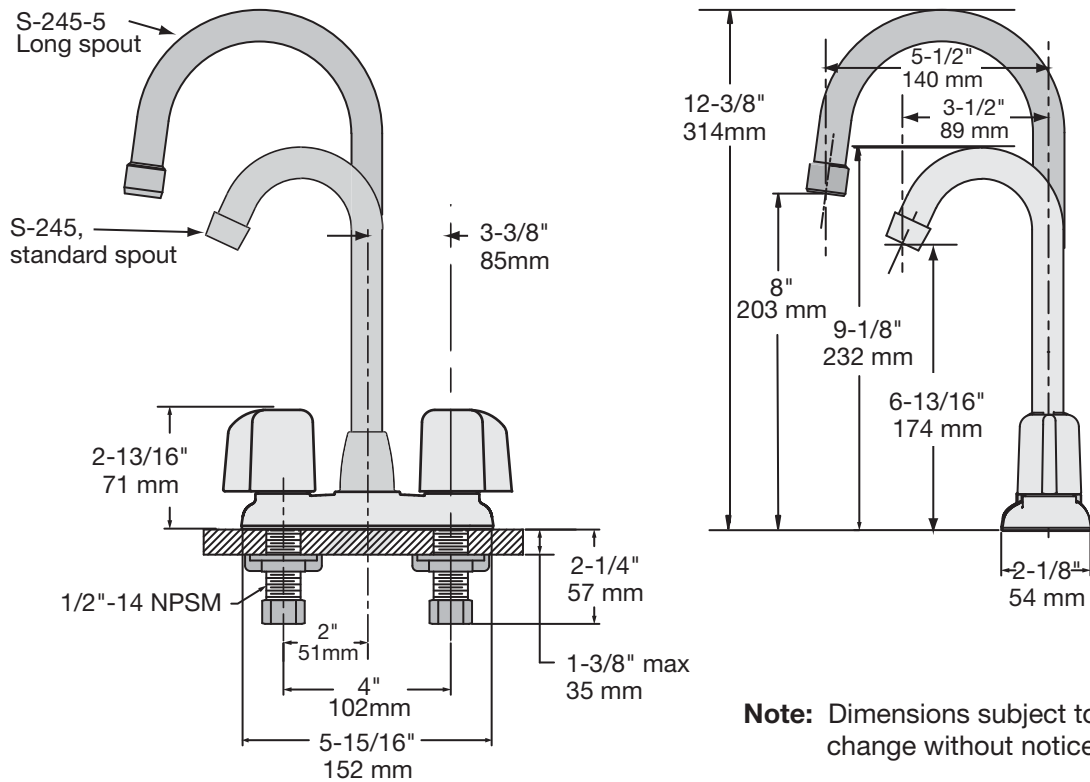
- LAM Lever handle with metal finish, metal insert and red & blue indicators
- LCF Lever handle with metal finish, clear faceted insert and red & blue indicators
- LPO Lever handles with white inserts
- LCT Clear acrylic handle with red & blue indicators on handles
- LWG Wrist blade handle with red & blue indicators on handles

#### Additional Options

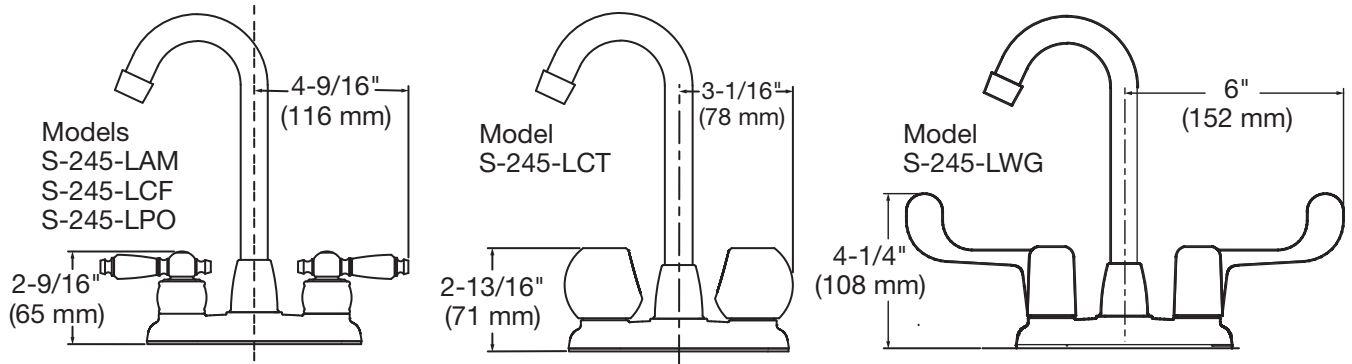
Append appropriate -suffix to model number.

- VP Vandal Resistant Aerator
- G Grid strainer drain assembly
- 0.5 0.5 gpm flow (1.9 L/min) restrictor,
- 1.0 1.0 gpm flow (3.8 L/min) restrictor,
- 1.5 1.5 gpm (5.7 L/min) flow restrictor
- NA Non-aerated laminar flow outlet spray
- 5 Spout size 5-1/2" x 12-3/8", configure as swivel or rigid. *Only available in standard chrome finish*

**Dimensions** Symmetrix® Bar Sink Faucet, S-245 and S-245-5



**Dimensions** Bar Sink Faucet, S-245-LAM, S-245-LCF, S-245-LPO, S-245-LCT, S245-LWG



**Note** Dimensions subject to change without notice.