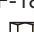




Parts Assembly *Ultra-Sense Lavatory Faucet, S-6080*

- KN-23 Anchor Bar
- KN-26 Spool Spacer
- L-36 Nut
- SF-125 Aerator
- SF-138 Deck Plate
- SF-140 Gasket
- SF-142 Mounting Kit
- SF-143 Mounting screws
- SF-145 Label
- SF-147 Sensor Repair Kit
- SF-148 Supply Hoses
- SF-150A Pilot Valve Repair Kit
- SF-151 Solenoid Valve Membrane
- SF-152 Housing Screw
- SF-153 Handle Plug Button
- SF-154 Handle
- SF-155 Handle Screw
- SF-156 Handle Limit Stop
- SF-158 Single Mount Kit
- SF-159 Plug
- SF-162 Mixer
- SF-181 Check strainer assembly
- SF-186 Check Strainer Kit
- SF-2CR5 6V Lithium Battery

| |
|---|
| S-6080-LST ONLY |
| SF-181 (2) |
|  |
|  |
|  |

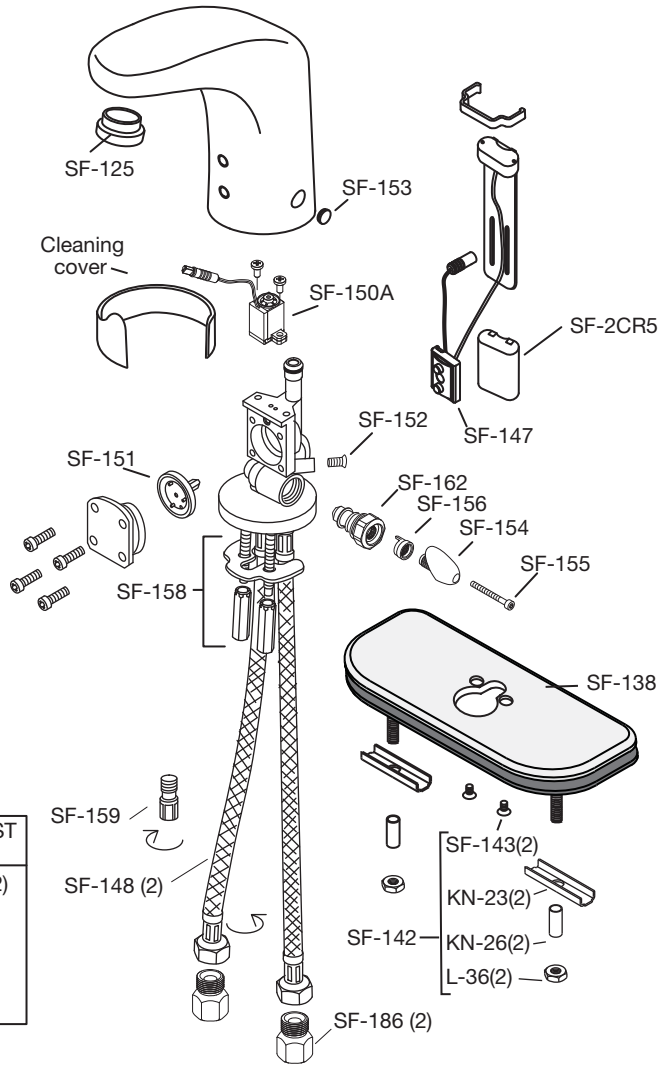


Figure 1

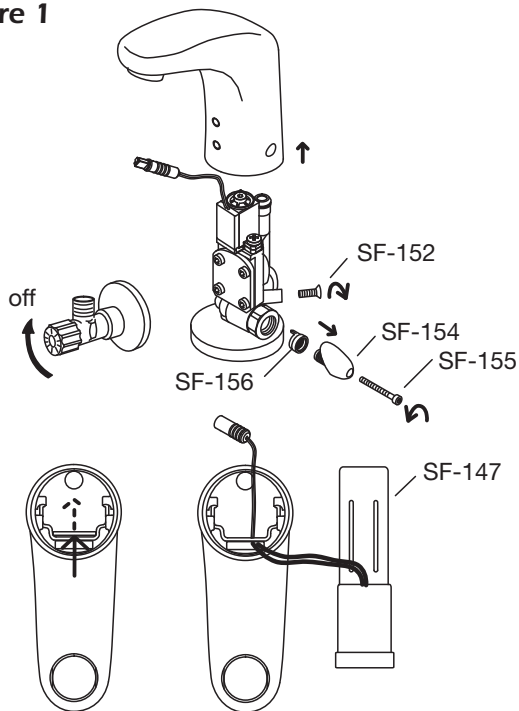


Figure 2

