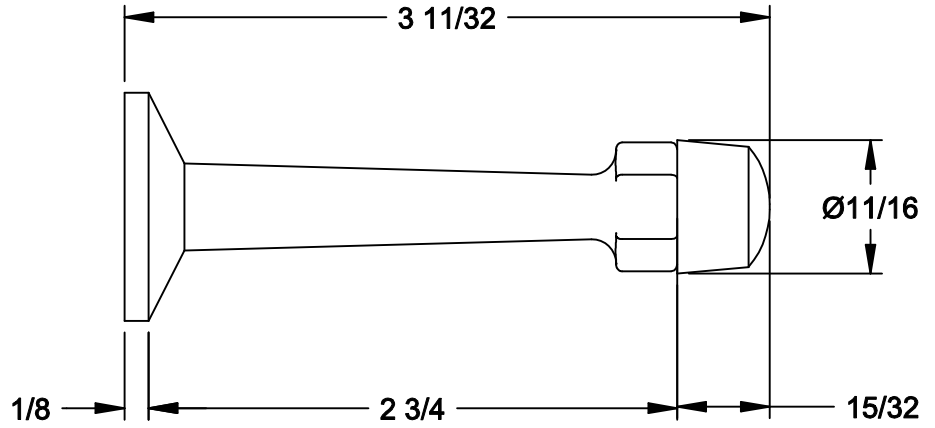
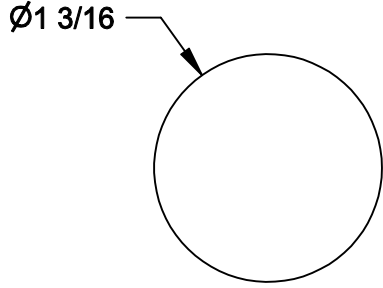
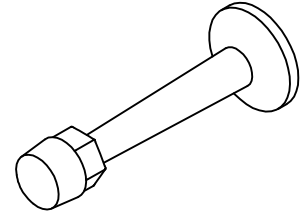


1208 DOOR STOP

MOUNTED USING #10-24 X 1-1/4 HANGER BOLT
(NOT SHOWN) CENTERED IN BASE



1235 DOOR STOP

MOUNTED USING TWO (2) #6 X 3/4 OVAL HEAD,
PHILLIPS DRIVE SHEET METAL SCREWS (NOT SHOWN)

